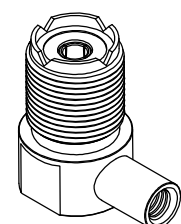
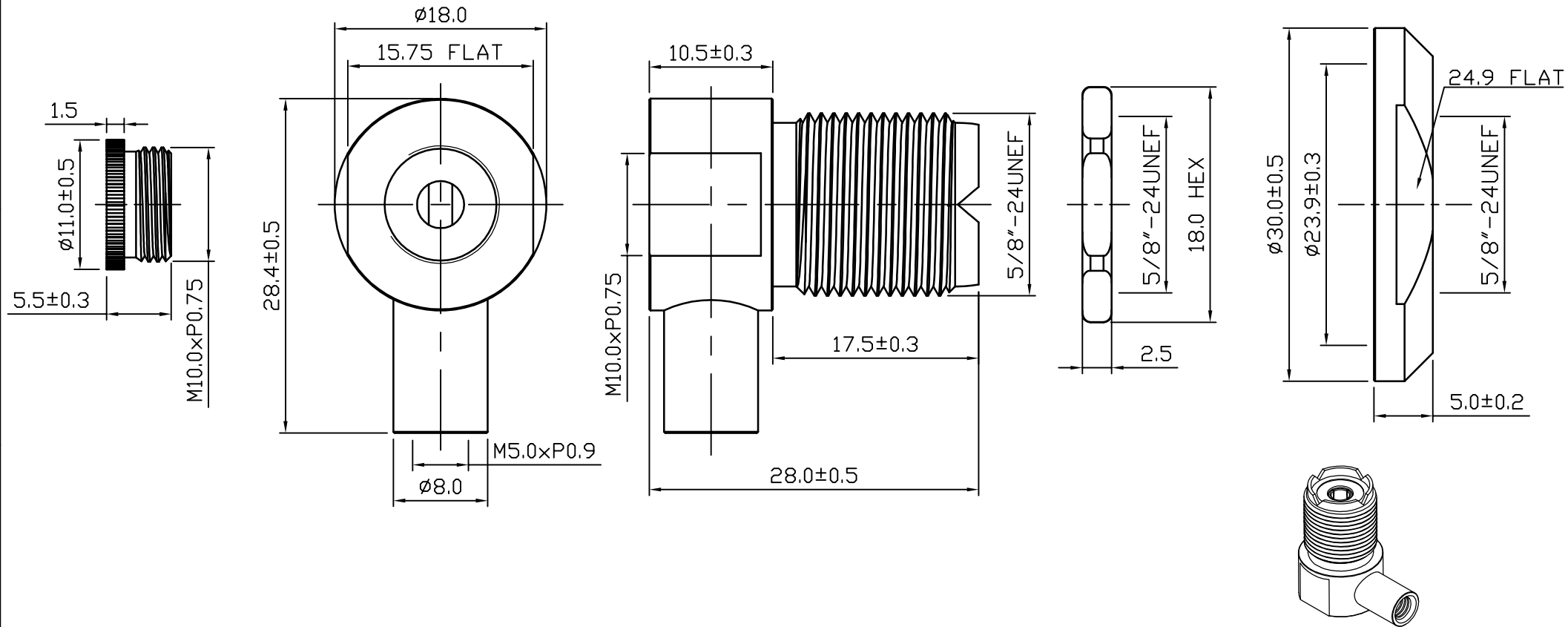


ROHS COMPLIANCE

DATE	DESCRIPTION	REV
14.02.10	NEW RELEASE	A




DO NOT SCALE DRAWING

6	COVER	1	BRASS	NICKEL	
5	NUT	1	BRASS	NICKEL	
4	NUT	1	BRASS	NICKEL	
3	PIN	1	BRASS	GOLD	
2	INSULATOR	1	POM	WHITE	
1	BODY	2	BRASS	NICKEL	
NO	Description	Q'ty	Material	Finish	Part Number

UNLESS OTHERWISE SPECIFIED  
 1. REMOVE ALL BURRS.  
 2. BREAK ALL CONNERS & EDGES CO.15 MAX.  
 3. CHAMFER 1ST & LAST THREADS 45°.  
 4. DIAMETERS ON COMMON CENTERS.  
 TO BE CONCENTRIC WITHIN 0.01 T.I.R.  
 5. ALL DIMENSIONS ARE AFTER PLATING.

MAJOR DIMENSIONS  
 UNLESS OTHERWISE NOTED TOLERANCES  
 0.5-6=±0.2  
 6-30=±0.4  
 30-120=±0.6  
 ANGLES=±5°

APPROVED BY  
 CHECKED BY  
 DRAWING BY  
*Sheng*  
 DATE 2014/02/10

DRAWING NO  
**U-013-1DGN-A**  
 TITLE  
 R/A UHF FEMALE B/H TWIST ON FOR RG58/U  
 REV.  
**A**  

**WEIJE ELECTRONICS CO., LTD**

SCALE 4/1 UNIT MM