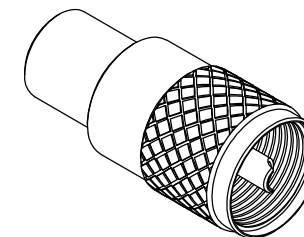
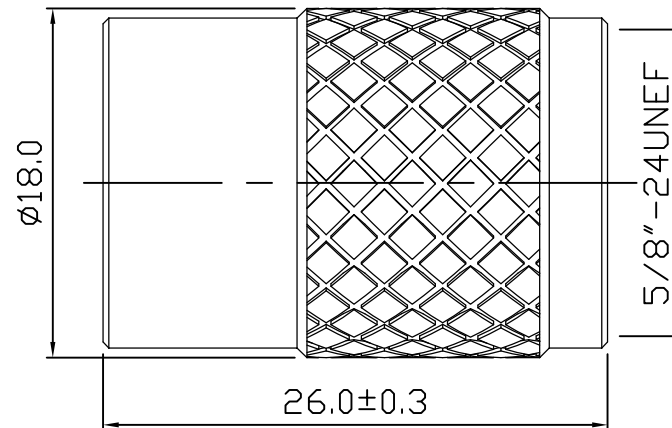
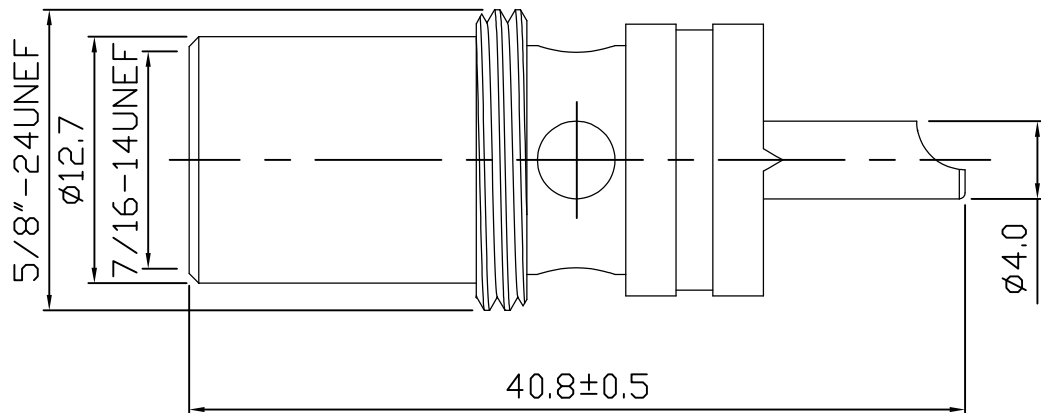


ROHS COMPLIANCE

DATE	DESCRIPTION	REV
13.06.29	NEW RELEASE	A



DO NOT SCALE DRAWING

NO	Description	Q'ty	Material	Finish	Part Number
4	PIN	1	BRASS	GOLD	
3	INSULATOR	1	BAKELITE	BROWN	
2	SHELL	1	BRASS	NICKEL	
1	BODY	1	ZINC	NICKEL	

UNLESS OTHERWISE SPECIFIED

- REMOVE ALL BURRS.
- BREAK ALL CONNERS & EDGES CO.15 MAX.
- CHAMFER 1ST & LAST THREADS 45°.
- DIAMETERS ON COMMON CENTERS.
TO BE CONCENTRIC WITHIN 0.01 T.I.R.
- ALL DIMENSIONS ARE AFTER PLATING.

MAJOR DIMENSIONS
UNLESS OTHERWISE NOTED TOLERANCES

0.5-6=±0.2
6-30=±0.4
30-120=±0.6
ANGLES=±5°

SCALE 4/1 UNIT MM

APPROVED BY

CHECKED BY

DRAWING BY
Sheng

DATE 2010/12/08

DRAWING NO
U-006-2BGN-E

TITLE
UHF MALE TWIST ON FOR RG213/8/11/U

REV. **A**

 WEIJE ELECTRONICS CO., LTD

8 7 6 5 4 3 2 1