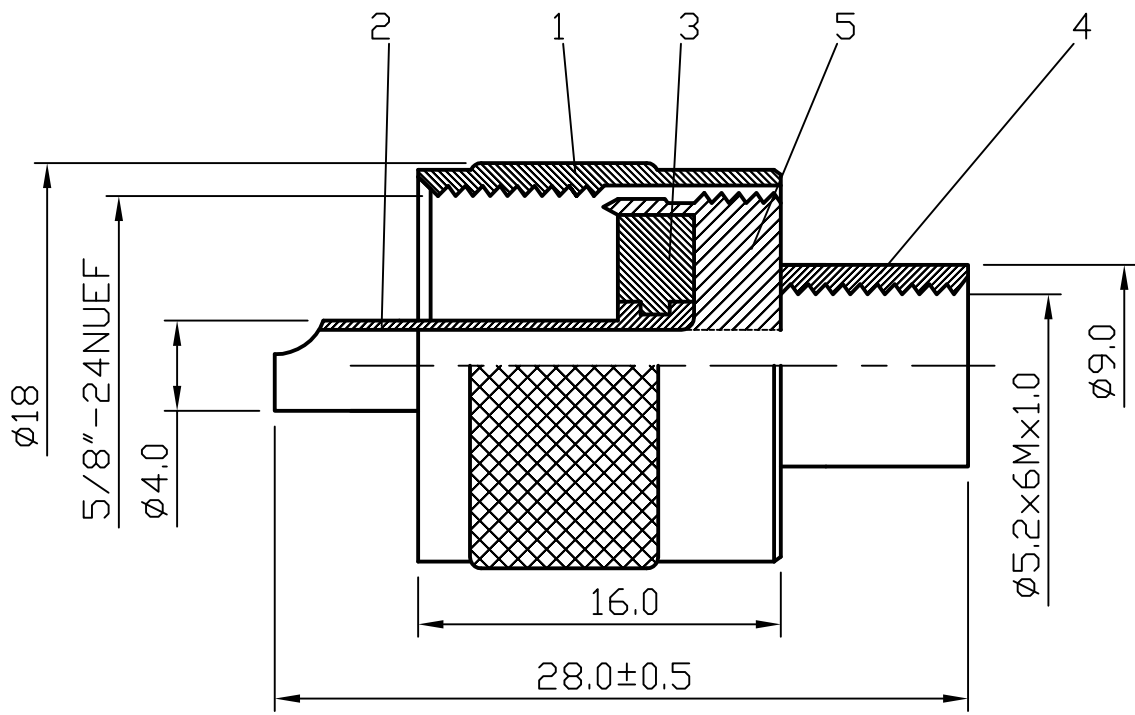



8 7 6 5 4 3 2 1

ROHS COMPLIANCE

DATE	DESCRIPTION	REV
11.10.26	NEW RELEASE	A



10					
9					
8					
7					
6					
5	BODY	1	BRASS	NICKEL	
4	BODY	1	BRASS	NICKEL	
3	INSULATOR	1	BAKELITE	BROWN	
2	PIN	1	BRASS	GOLD	
1	SHELL	1	BRASS	NICKEL	
NO	Description	Q'ty	Material	Finish	Part Number

UNLESS OTHERWISE SPECIFIED 1. REMOVE ALL BURRS. 2. BREAK ALL CONNERS & EDGES CO.15 MAX. 3. CHAMFER 1ST & LAST THREADS 45°. 4. DIAMETERS ON COMMON CENTERS. TO BE CONCENTRIC WITHIN 0.01 T.I.R. 5. ALL DIMENSIONS ARE AFTER PLATING.	MAJOR DIMENSIONS	APPROVED BY	DRAWING NO	
	UNLESS OTHERWISE NOTED TOLERANCES	CHECKED BY	U-004-1BGN-A	
	0.5-6=±0.2 6-30=±0.4 30-120=±0.6 ANGLES=±5°	DRAWING BY	TITLE	REV.
	SCALE 5/1 UNIT MM	DATE 2011/10/26	UHF MALE TWIST ON FOR RG58/U	A
		 WEIJE ELECTRONICS CO., LTD		

DO NOT SCALE DRAWING

8 7 6 5 4 3 2 1