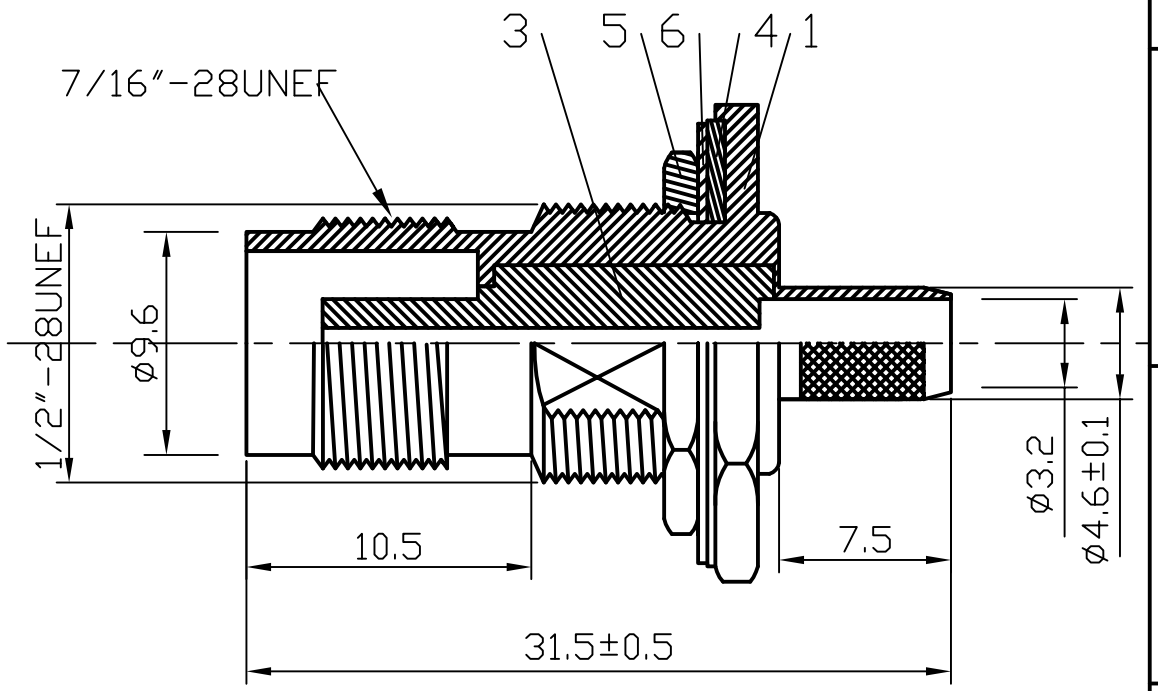
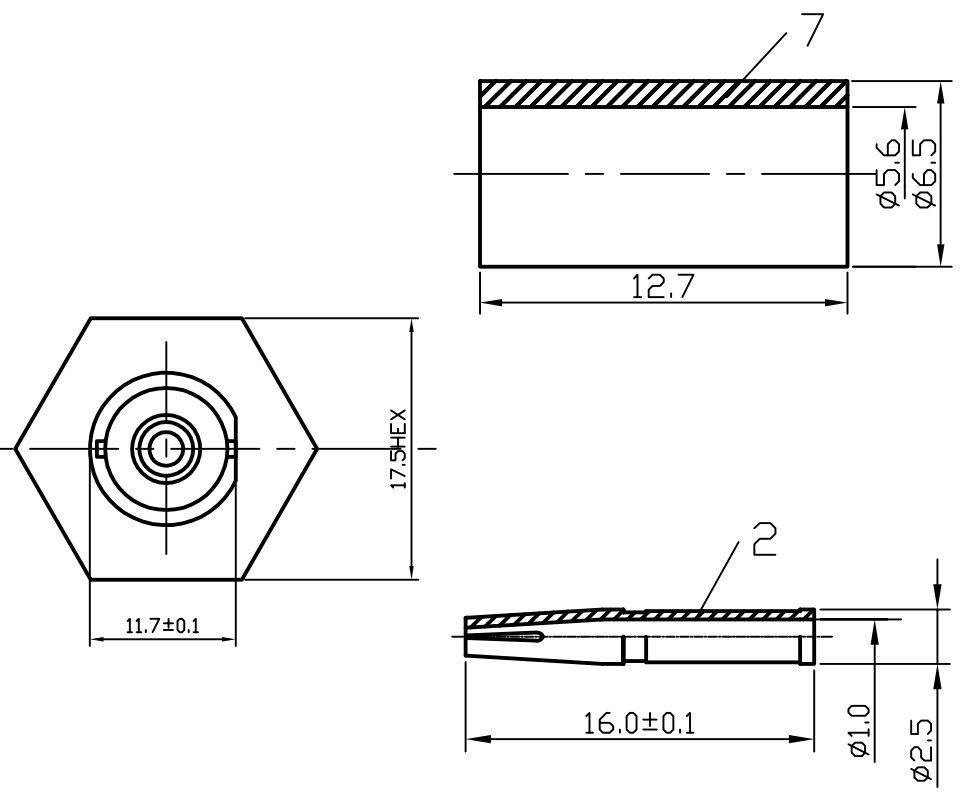


ROHS COMPLIANCE

| DATE | DESCRIPTION | REV |
|----------|-------------|-----|
| 09.03.30 | NEW RELEASE | A |



| 12 | | | | | |
|----|-------------|------|----------|--------|-------------|
| 11 | | | | | |
| 10 | | | | | |
| 9 | | | | | |
| 8 | | | | | |
| 7 | FERRULE | 1 | BRASS | NICKEL | |
| 6 | WASHER | 1 | STEEL | NICKEL | |
| 5 | NUT | 1 | BRASS | NICKEL | |
| 4 | GASKET | 1 | PVC | ORANGE | |
| 3 | INSULATOR | 1 | DELTRIN | WHITE | |
| 2 | PIN | 1 | BRASS | GOLD | |
| 1 | BODY | 1 | BRASS | NICKEL | |
| NO | Description | Q'ty | Material | Finish | Part Number |

UNLESS OTHERWISE SPECIFIED
 1. REMOVE ALL BURRS.
 2. BREAK ALL CONNERS & EDGES CO.15 MAX.
 3. CHAMFER 1ST & LAST THREADS 45°.
 4. DIAMETERS ON COMMON CENTERS.
 TO BE CONCENTRIC WITHIN 0.01 T.I.R.
 5. ALL DIMENSIONS ARE AFTER PLATING.

MAJOR DIMENSIONS
 UNLESS OTHERWISE NOTED TOLERANCES
 0.5-6=±0.2
 6-30=±0.4
 30-120=±0.6
 ANGLES=±5°

APPROVED BY
 CHECKED BY
 DRAWING BY
ART&PJ
 DATE 2011/02/08

DRAWING NO
T-017-1DGN-A

TITLE
 TNC FEMALE CRIMP FOR RG58/U

REV.
 A

WEIJE
 WEIJE ELECTRONICS CO., LTD

DO NOT SCALE DRAWING