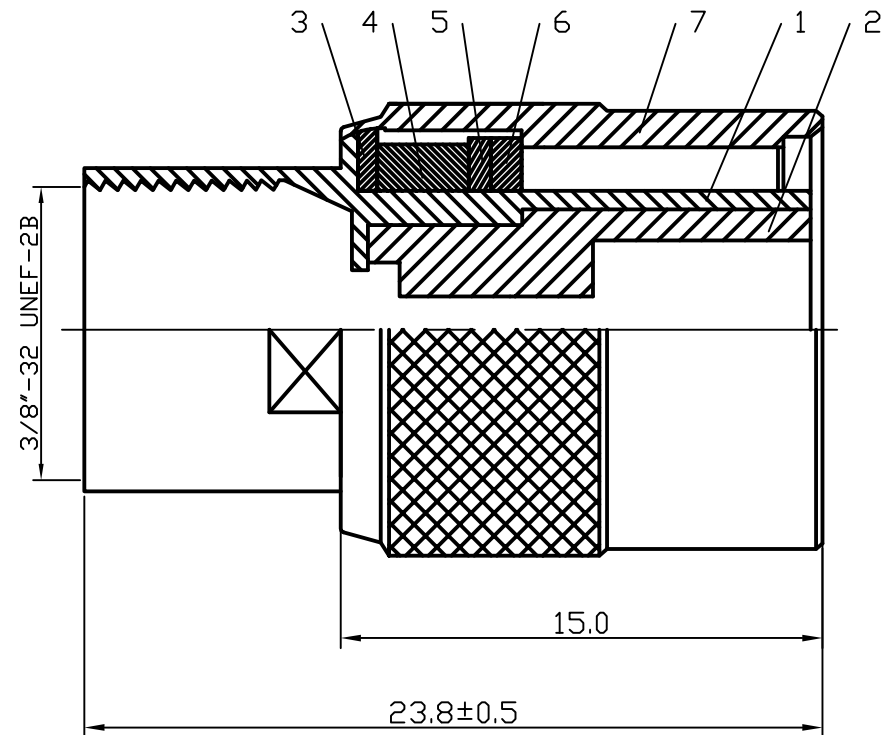
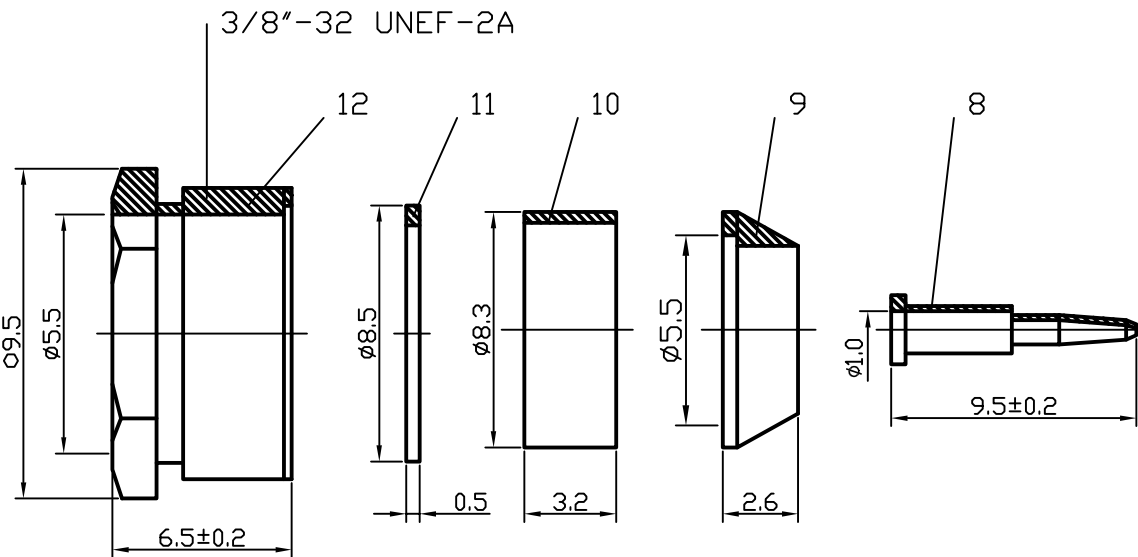



ROHS COMPLIANCE

DATE	DESCRIPTION	REV
11.10.25	NEW RELEASE	A



12	CLAMP NUT	1	ZINC	NICKEL	
11	WASHER	1	STEEL	NICKEL	
10	GASKET(OUTER)	1	PVC	RED	
9	BRAID CLAMP	1	BRASS	NICKEL	
8	PIN	1	BRASS	GOLD	
7	SHEEL	1	BRASS	NICKEL	
6	GASKET	1	PVC	RED	
5	WASHER	1	STEEL	NICKEL	
4	WASHER	1	BRASS	NICKEL	
3	WASHER	1	STEEL	NICKEL	
2	INSULATOR	1	DELIRIN	WHITE	
1	BODY	1	BRASS	NICKEL	
NO	Description	Q' ty	Material	Finish	Part Number

UNLESS OTHERWISE SPECIFIED 1. REMOVE ALL BURRS. 2. BREAK ALL CONNERS & EDGES CO.15 MAX. 3. CHAMFER 1ST & LAST THREADS 45°. 4. DIAMETERS ON COMMON CENTERS. TO BE CONCENTRIC WITHIN 0.01 T.I.R. 5. ALL DIMENSIONS ARE AFTER PLATING.	MAJOR DIMENSIONS	APPROVED BY	DRAWING NO
	UNLESS OTHERWISE NOTED TOLERANCES	CHECKED BY	T-006-1DGN-A
	0.5-6=±0.2	DRAWING BY	TITLE
	6-30=±0.4	<i>ART&M</i>	TNC MALE CLAMP FOR RG58/U
30-120=±0.6	DATE	REV.	A
ANGLES=±5°	2011/10/25		
SCALE 4/1 UNIT MM	 WEIJE ELECTRONICS CO., LTD		

DO NOT SCALE DRAWING