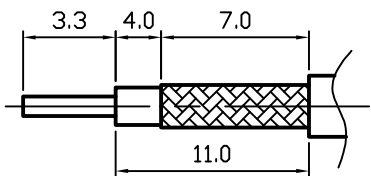
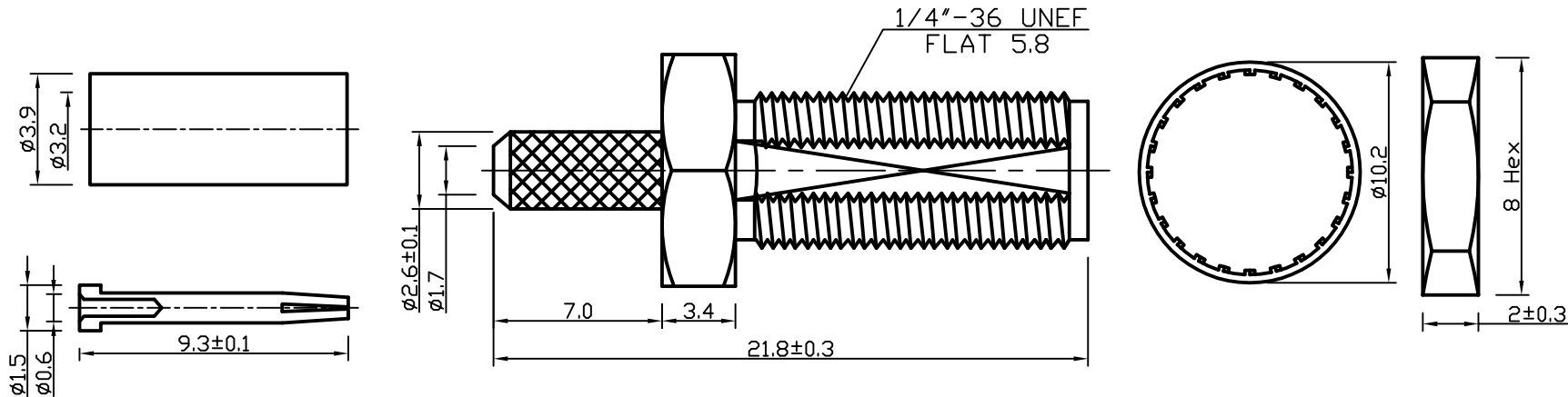
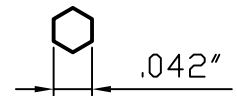


8 ROHS COMPLIANCE

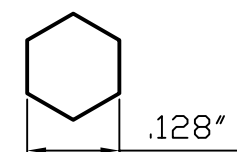
DATE	DESCRIPTION	REV
09.06.22	NEW RELEASE	A



Recommended Cable Stripping Dimensions



Recommended Crimped Dimensions For Center Pin



Recommended Crimped Dimensions For Ferrule

DO NOT SCALE DRAWING

11					
10					
9					
8					
7					
6	RING	1	BRASS	GOLD	
5	WASHER	1	STEEL	GOLD	
4	PIN	1	BRASS	GOLD	
3	NUT	1	BRASS	GOLD	
2	INSULATOR	1	TEFLON	WHITE	
1	BODY	1	BRASS	GOLD	
NO	Description	Q'ty	Material	Finish	Part Number

UNLESS OTHERWISE SPECIFIED 1. REMOVE ALL BURRS. 2. BREAK ALL CONNERS & EDGES CO. 15 MAX. 3. CHAMFER 1ST & LAST THREADS 45°. 4. DIAMETERS ON COMMON CENTERS. TO BE CONCENTRIC WITHIN 0.01 T. I. R. 5. ALL DIMENSIONS ARE AFTER PLATING.	MAJOR DIMENSIONS	APPROVED BY	DRAWING NO	
	UNLESS OTHERWISE NOTED TOLERANCES	CHECKED BY	S-012-1TGG-D	
	0.5-6=±0.2 6-30=±0.4 30-120=±0.6 ANGLES=±5°	DRAWING BY	TITLE	REV.
	SCALE 5/1 UNIT MM	DATE 2011/12/15	SMA FEMALE BULKHEAD CRIMP FOR 174/316/U	A
		WEIJE ELECTRONICS CO., LTD		