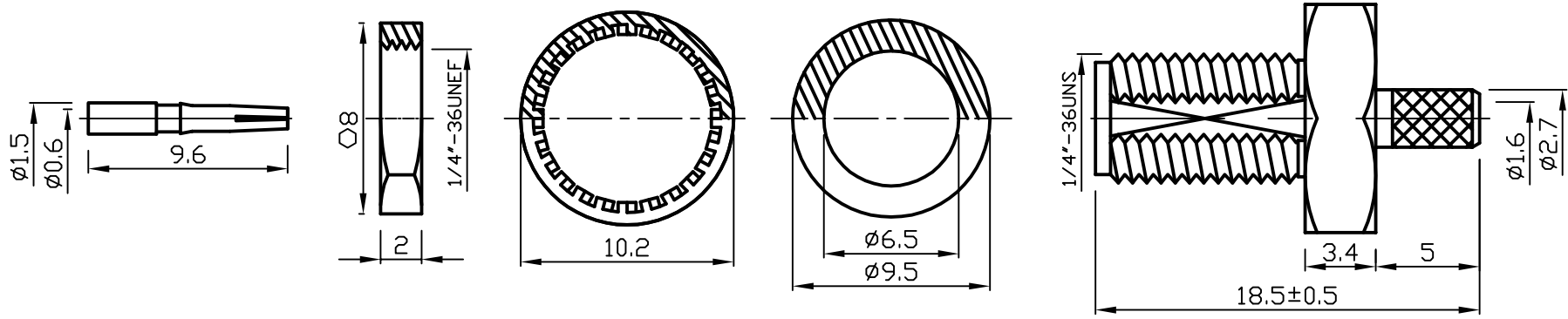


ROHS COMPLIANCE

DATE	DESCRIPTION	REV
11.04.08	NEW RELEASE	A



vertical view

DO NOT SCALE DRAWING

10					
9					
8					
7					
6	PIN	1	P.BRONZE	GOLD	
5	NUT	1	BRASS	GOLD	
4	WASHER	1	STEEL	GOLD	
3	O-RING	1	RUBBER	ORANGE	
2	INSULATOR	1	TEFLON	WHITE	
1	BODY	1	BRASS	GOLD	
NO	Description	Q'ty	Material	Finish	Part Number

UNLESS OTHERWISE SPECIFIED 1. REMOVE ALL BURRS. 2. BREAK ALL CONNERS & EDGES CO.15 MAX. 3. CHAMFER 1ST & LAST THREADS 45°. 4. DIAMETERS ON COMMON CENTERS. TO BE CONCENTRIC WITHIN 0.01 T.I.R. 5. ALL DIMENSIONS ARE AFTER PLATING.	MAJOR DIMENSIONS		APPROVED BY	DRAWING NO
	UNLESS OTHERWISE NOTED TOLERANCES		CHECKED BY	S-012-1TGG-D-WP
	0.5-6=±0.2	6-30=±0.4	DRAWING BY	TITLE
	30-120=±0.6	ANGLES=±5°	ARJEMPY	SMA FEMALE CRIMP TYPE FOR RG174/U
SCALE 4/1	UNIT MM	DATE 2011/04/11	REV. A	WEIJE ELECTRONICS CO., LTD



8 7 6 5 4 3 2 1