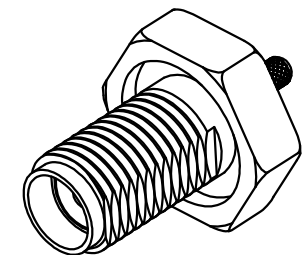
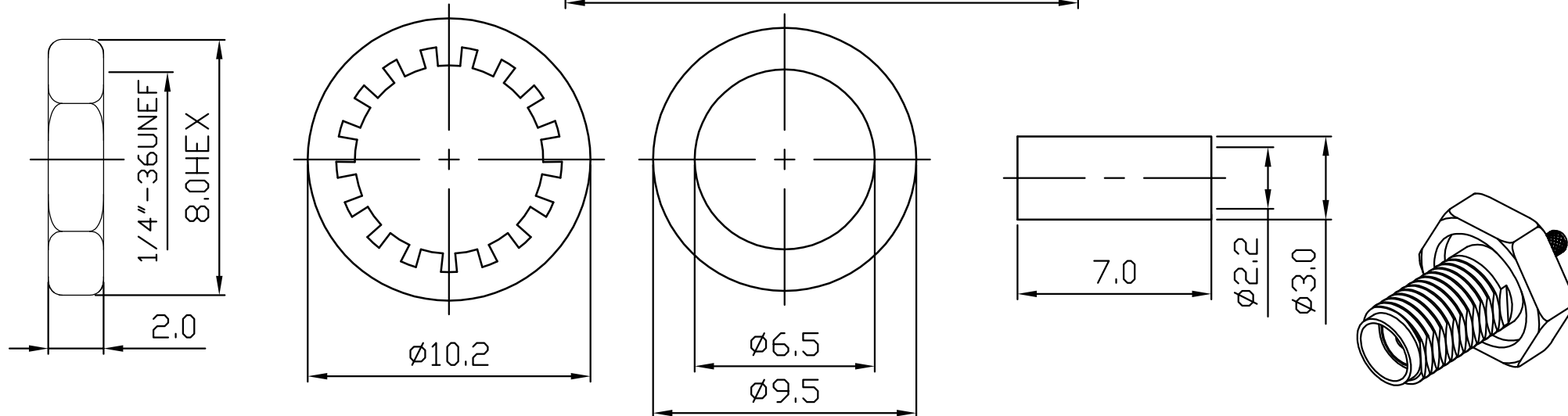
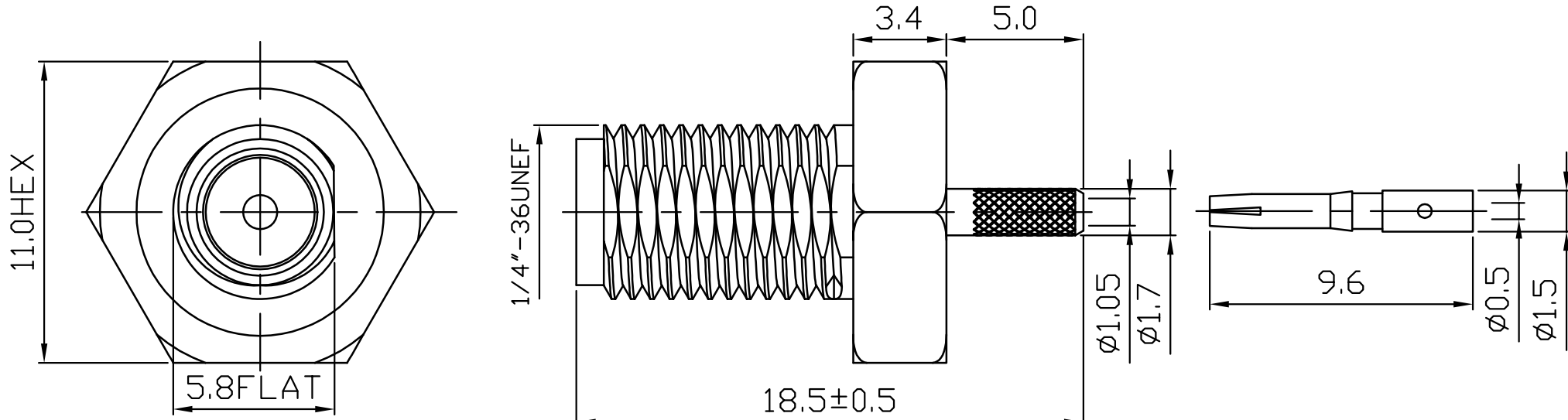


ROHS COMPLIANCE

DATE	DESCRIPTION	REV
13.01.10	NEW RELEASE	A




DO NOT SCALE DRAWING

5	RING	1	BRASS	GOLD	
4	PIN	1	P.BRONZE	GOLD	
5	NUT	1	BRASS	GOLD	
4	WASHER	1	STEEL	GOLD	
3	O-RING	1	RUBBER	RED	
2	INSULATOR	1	PTFE	WHITE	
1	BODY	1	BRASS	GOLD	
NO	Description	Q'ty	Material	Finish	Part Number

UNLESS OTHERWISE SPECIFIED
 1. REMOVE ALL BURRS.
 2. BREAK ALL CONNERS & EDGES CO.15 MAX.
 3. CHAMFER 1ST & LAST THREADS 45°.
 4. DIAMETERS ON COMMON CENTERS.
 TO BE CONCENTRIC WITHIN 0.01 T. I. R.
 5. ALL DIMENSIONS ARE AFTER PLATING.

MAJOR DIMENSIONS
 UNLESS OTHERWISE NOTED TOLERANCES
 0.5-6=±0.2
 6-30=±0.4
 30-120=±0.6
 ANGLES=±5°

APPROVED BY
 CHECKED BY
 DRAWING BY
SHENY
 DATE
 2013/01/10

DRAWING NO
S-012-1TGG-178U
 TITLE
 SMA FEMALE CRIMP TYPE FOR RG178/U
 REV.
A
 WEIJE ELECTRONICS CO., LTD

SCALE 4/1 UNIT MM