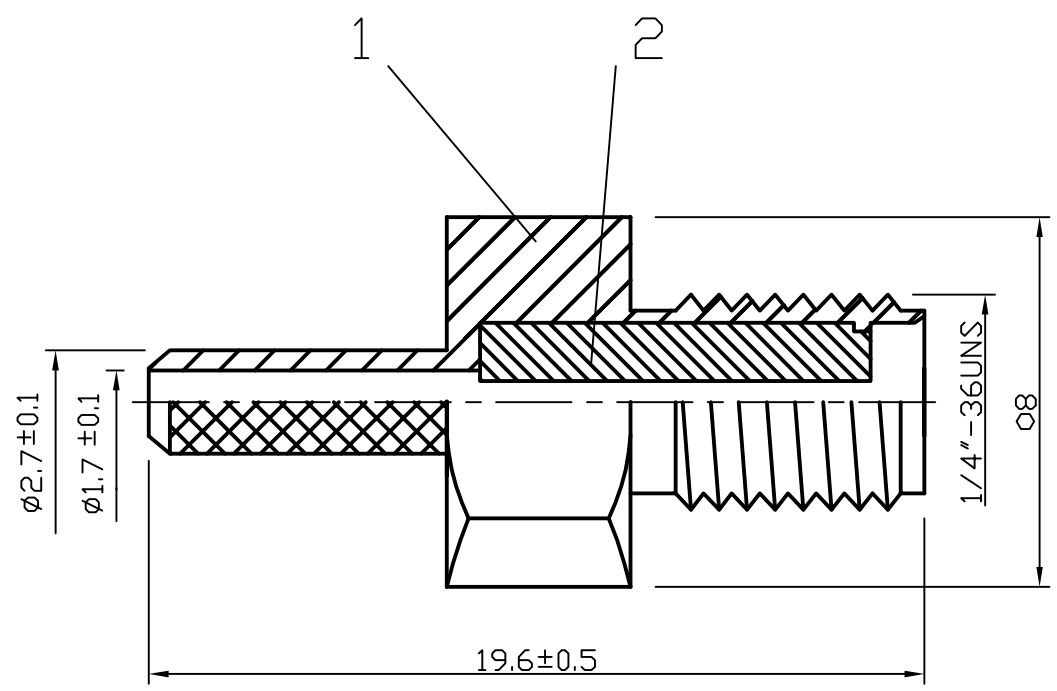
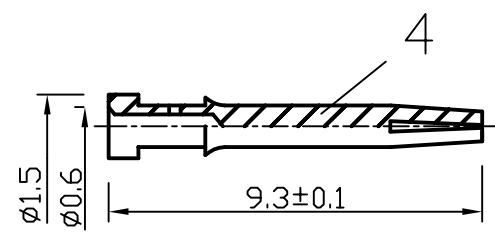
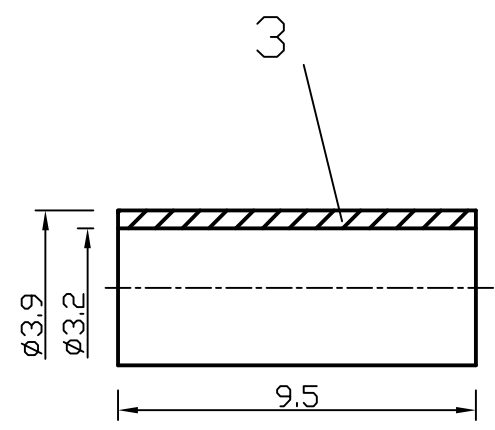



8 7 6 5 4 3 2 1

ROHS COMPLIANCE

DATE	DESCRIPTION	REV
10.09.24	NEW RELEASE	A



11					
10					
9					
8					
7					
6					
5					
4	PIN	1	P. BRONZE	GOLD	
3	RING	1	BRASS	GOLD	
2	INSULATOR	1	TEFLON	WHITE	
1	BODY	1	BRASS	GOLD	
NO	Description	Q'ty	Material	Finish	Part Number

UNLESS OTHERWISE SPECIFIED 1. REMOVE ALL BURRS. 2. BREAK ALL CONNERS & EDGES CO.15 MAX. 3. CHAMFER 1ST & LAST THREADS 45°. 4. DIAMETERS ON COMMON CENTERS. TO BE CONCENTRIC WITHIN 0.01 T.I.R. 5. ALL DIMENSIONS ARE AFTER PLATING.	MAJOR DIMENSIONS	APPROVED BY	DRAWING NO
	UNLESS OTHERWISE NOTED TOLERANCES	CHECKED BY	S-009-1TGG-D
	0.5-6=±0.2	DRAWING BY	TITLE
	6-30=±0.4	<i>ART&M</i>	SMA FEMALE CRIMP FOR 174/316U
30-120=±0.6	DATE	REV.	A
ANGLES=±5°	2012/02/17		
SCALE 5/1 UNIT MM	 WEIJE ELECTRONICS CO., LTD		

DO NOT SCALE DRAWING

8 7 6 5 4 3 2 1