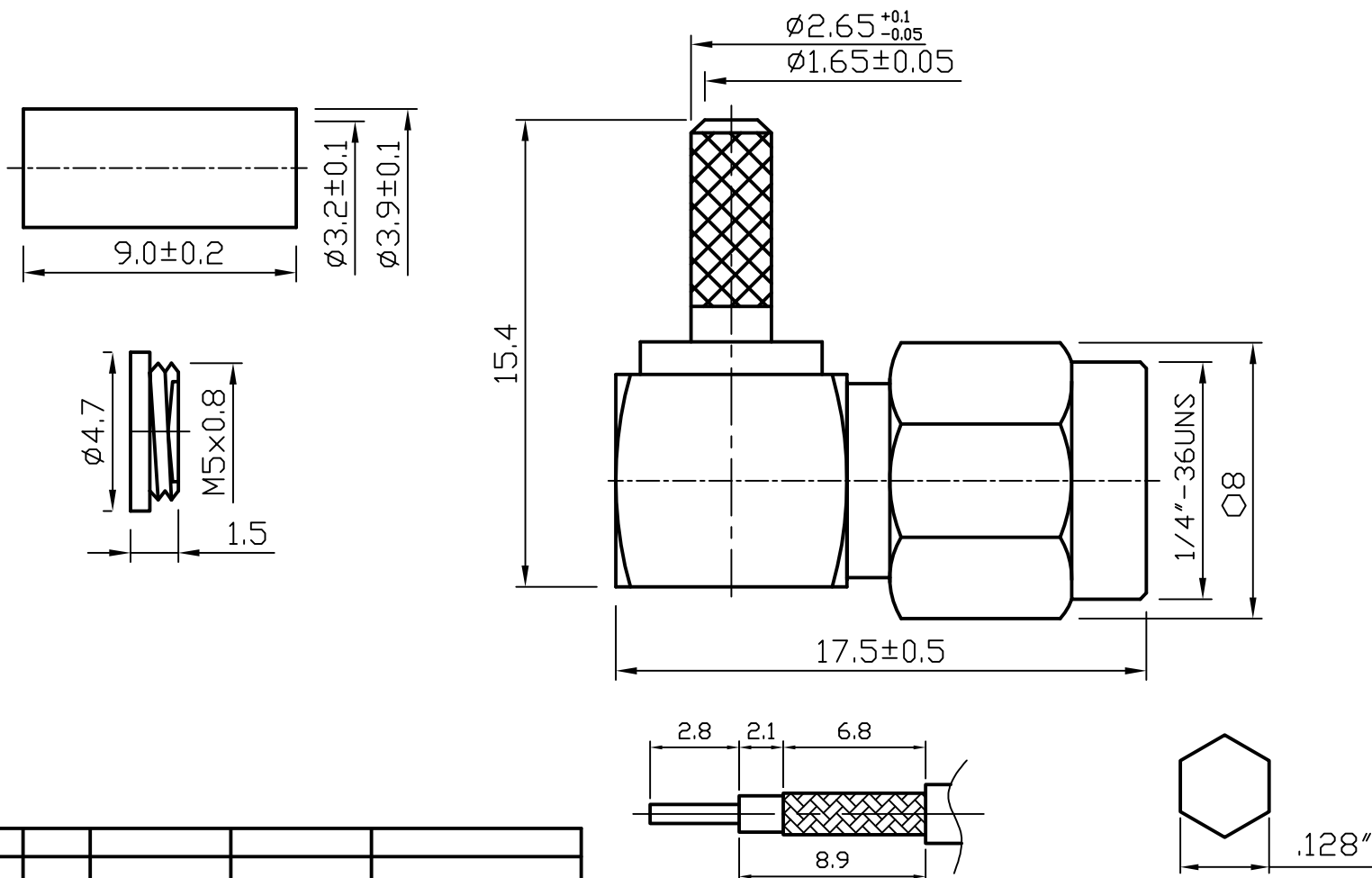


ROHS COMPLIANCE


DATE	DESCRIPTION	REV
09.10.08	NEW RELEASE	A



Recommended Cable Stripping Dimensions

Recommended Crimped Dimensions For Ferrule

12					
11					
10					
9					
8					
7					
6					
5	RING	1	BRASS	GOLD	
4	INSULATOR	1	TEFLON	WHITE	
3	PIN	1	BRASS	GOLD	
2	BODY	1	BRASS	GOLD	
1	SHELL	1	BRASS	GOLD	
NO	Description	Q'ty	Material	Finish	Part Number

UNLESS OTHERWISE SPECIFIED 1. REMOVE ALL BURRS. 2. BREAK ALL CONNERS & EDGES CO.15 MAX. 3. CHAMFER 1ST & LAST THREADS 45°. 4. DIAMETERS ON COMMON CENTERS. TO BE CONCENTRIC WITHIN 0.01 T. I. R. 5. ALL DIMENSIONS ARE AFTER PLATING.	MAJOR DIMENSIONS		APPROVED BY	DRAWING NO
	UNLESS OTHERWISE NOTED TOLERANCES		CHECKED BY	S-004-1TGG-D
	0.5-6=±0.2	6-30=±0.4	DRAWING BY	TITLE
	30-120=±0.6	ANGLES=±5°	ART&MPS	R/A SMA MALE CRIMP TYPE FOR RG174U
SCALE 4/1	UNIT MM	DATE 2014/12/24	REV. A	
			 WEIJE ELECTRONICS CO., LTD	

DO NOT SCALE DRAWING