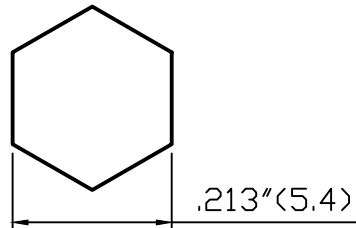
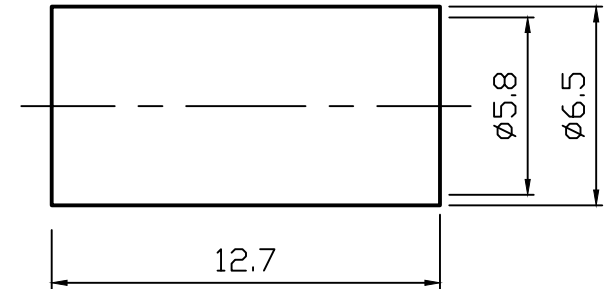
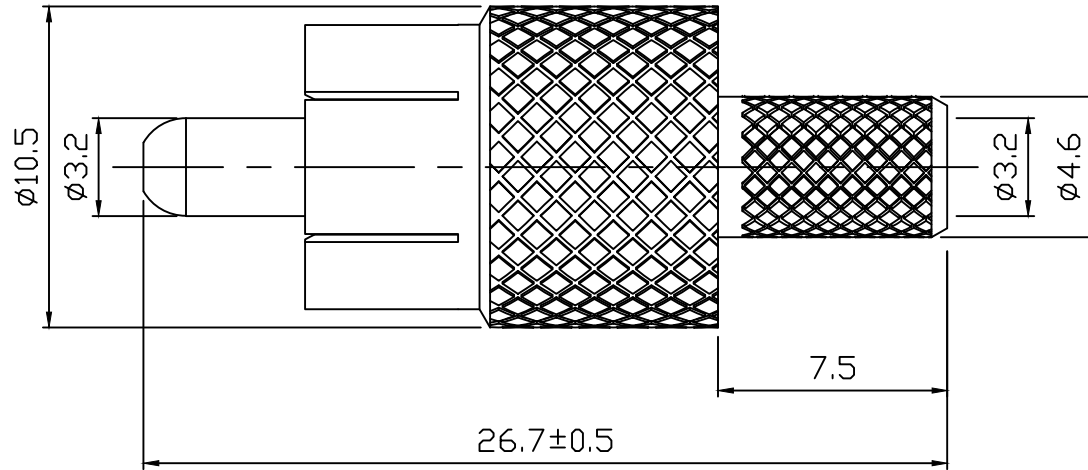
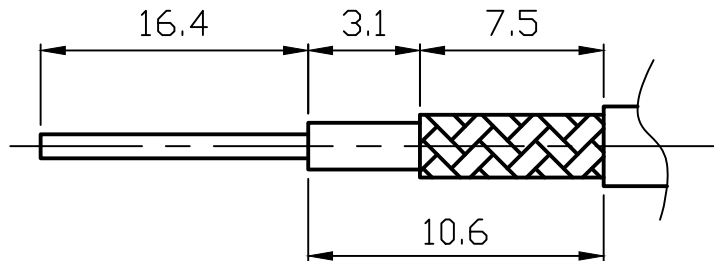


ROHS COMPLIANCE

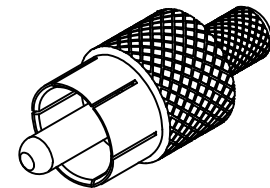
DATE	DESCRIPTION	REV
14. 02. 19	NEW RELEASE	NA



Recommended Crimped Dimensions for Ferrule



Recommended Cable Stripping Dimensions




DO NOT SCALE DRAWING

4	RING	1	BRASS	NICKEL	
3	PIN	1	BRASS	NICKEL	
2	INSULATOR	1	POM	WHITE	
1	BODY	1	BRASS	NICKEL	
NO	Description	Q'ty	Material	Finish	Part Number

UNLESS OTHERWISE SPECIFIED
 1. REMOVE ALL BURRS.
 2. BREAK ALL CONNERS & EDGES CO. 15 MAX.
 3. CHAMFER 1ST & LAST THREADS 45°.
 4. DIAMETERS ON COMMON CENTERS.
 TO BE CONCENTRIC WITHIN 0.01 T. I. R.
 5. ALL DIMENSIONS ARE AFTER PLATING.

MAJOR DIMENSIONS			
UNLESS OTHERWISE NOTED TOLERANCES			
0.5-6	±0.2		
6-30	±0.4		
30-120	±0.6		
ANGLES=±5°			
SCALE	4/1	UNIT	MM

APPROVED BY	
CHECKED BY	<i>Fyun Liang</i>
DRAWING BY	<i>Sheng</i>
DATE	2017/11/09

DRAWING NO		R-001M-3C2V	
TITLE		RCA PLUG CRIMP FOR CABLE 3C2V	REV. NA
		WEIJE ELECTRONICS CO., LTD	