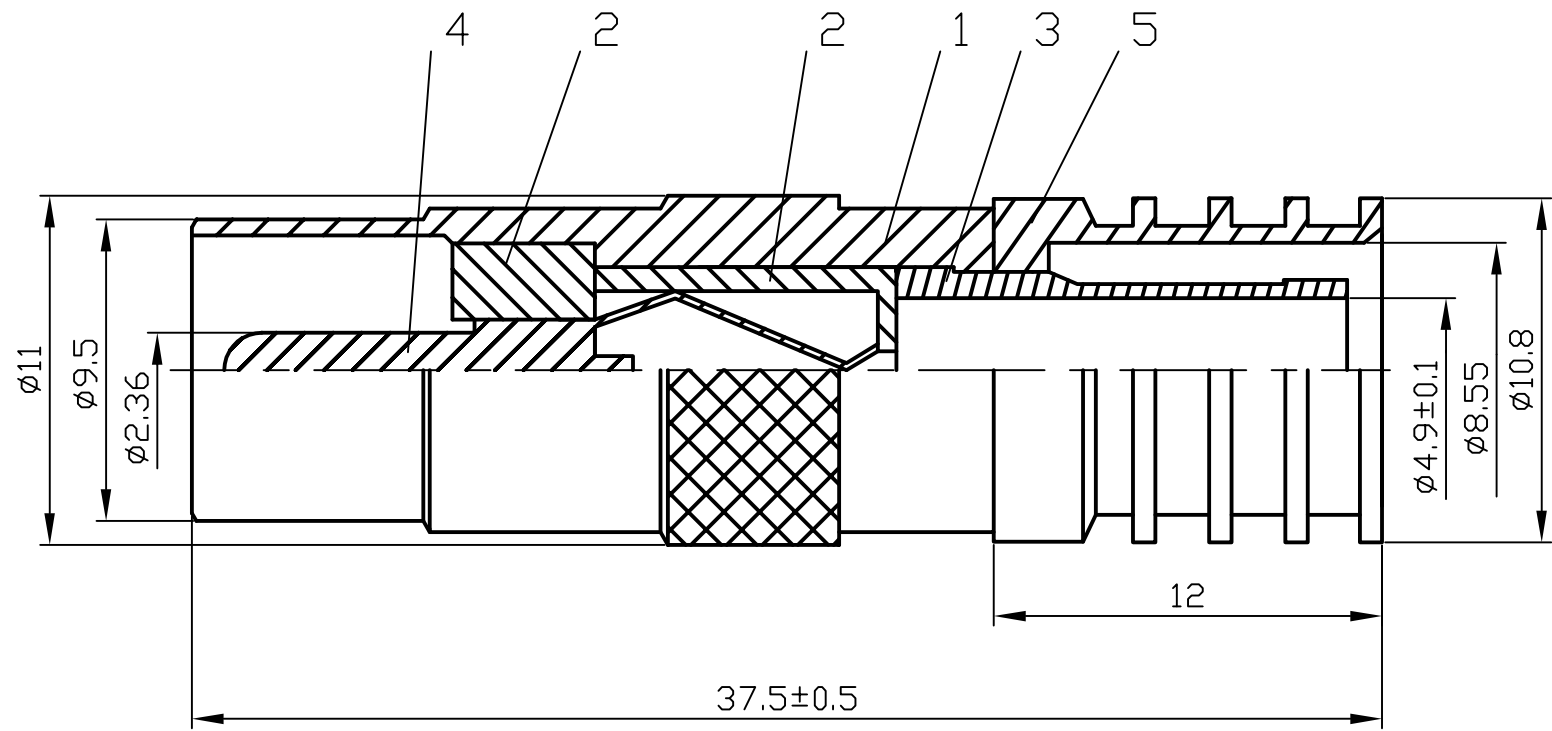


ROHS COMPLIANCE

DATE	DESCRIPTION	REV
09.07.02	NEW RELEASE	A



DO NOT SCALE DRAWING

10					
9					
8					
7					
6					
5	FERRULE	1	BRASS	NICKEL	
4	PIN	1	BRASS	NICKEL	
3	MANDRIL	1	BRASS	NICKEL	
2	INSULATOR	1	DELRIN	WHITE	
1	BODY	1	BRASS	NICKEL	
NO	Description	Q'ty	Material	Finish	Part Number

<p>UNLESS OTHERWISE SPECIFIED</p> <ol style="list-style-type: none"> <li>REMOVE ALL BURRS.</li> <li>BREAK ALL CONNERS &amp; EDGES CO.15 MAX.</li> <li>CHAMFER 1ST &amp; LAST THREADS 45°.</li> <li>DIAMETERS ON COMMON CENTERS.</li> <li>ALL DIMENSIONS ARE AFTER PLATING.</li> </ol>	<p>MAJOR DIMENSIONS</p> <p>UNLESS OTHERWISE NOTED TOLERANCES</p> <p>0.5-6=±0.2</p> <p>6-30=±0.4</p> <p>30-120=±0.6</p> <p>ANGLES=±5°</p>	APPROVED BY	DRAWING NO
		CHECKED BY	TITLE
		DRAWING BY	REV.
		DATE	

SCALE 4/1 UNIT MM DATE 2010/05/26

WEIJE

WeiJe Electronics CO., LTD

P-029-1DNN-C

PAL MALE W/ATTACHED RING RG6/U A



WeiJe Electronics CO., LTD