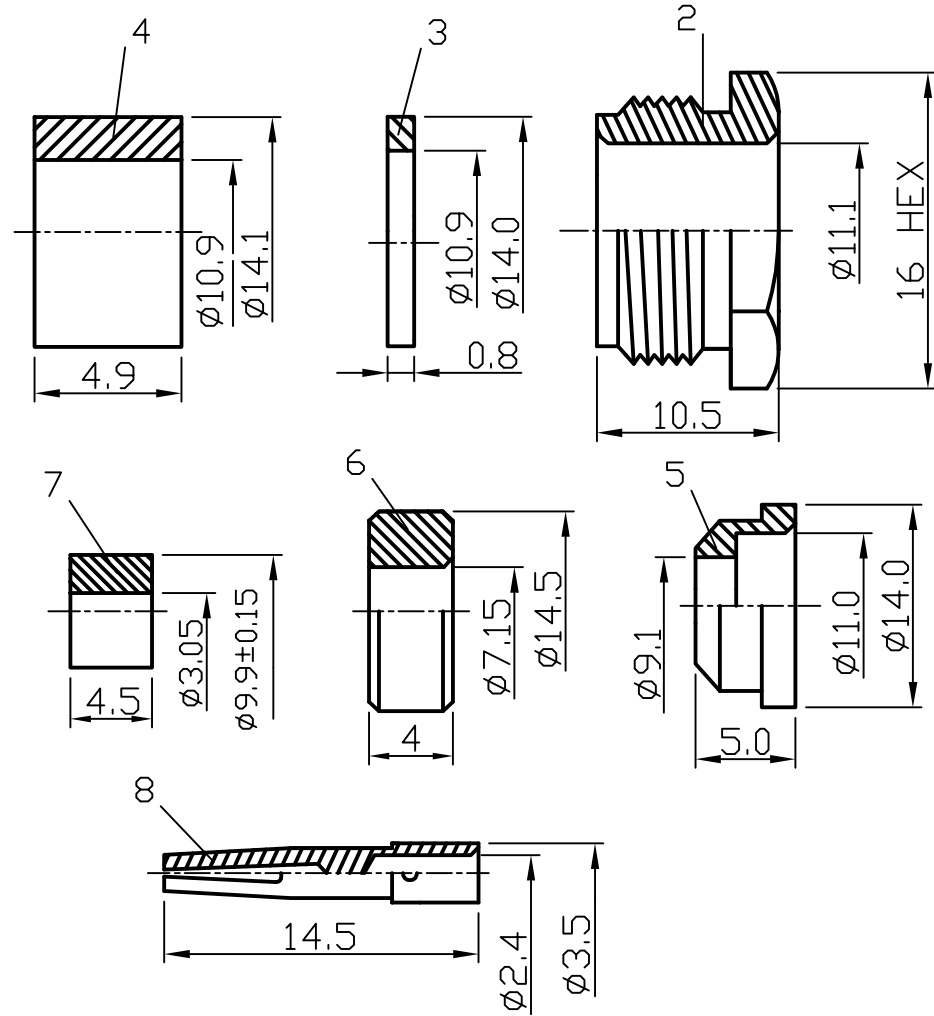
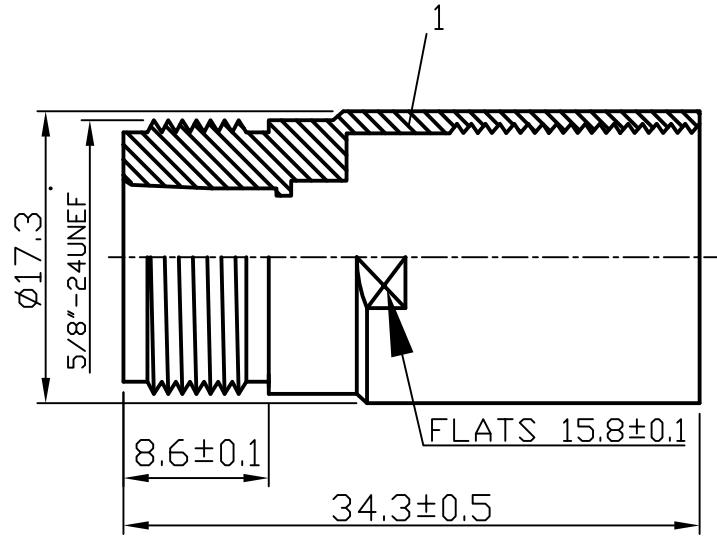


ROHS COMPLIANCE

DATE	DESCRIPTION	REV
10.08.12	NEW RELEASE	A



DO NOT SCALE DRAWING

11					
10					
9					
8	PIN	1	BRASS	GOLD	
7	WASHER	1	BRASS	NICKEL	
6	GASKET	1	RUBBER	RED	
5	TOP HAT	1	BRASS	NICKEL	
4	BODY II	1	BRASS	NICKEL	
3	INSULATOR	1	DELTRIN	WHITE	
2	SCREW	1	BRASS	NICKEL	
1	BODY I	1	BRASS	NICKEL	
NO	Description	Q'ty	Material	Finish	Part Number

UNLESS OTHERWISE SPECIFIED 1. REMOVE ALL BURRS. 2. BREAK ALL CONNERS & EDGES CO.15 MAX. 3. CHAMFER 1ST & LAST THREADS 45°. 4. DIAMETERS ON COMMON CENTERS. TO BE CONCENTRIC WITHIN 0.01 T.I.R. 5. ALL DIMENSIONS ARE AFTER PLATING.	MAJOR DIMENSIONS	APPROVED BY	DRAWING NO	
	UNLESS OTHERWISE NOTED TOLERANCES	CHECKED BY	N-012-1DGN-E	
	0.5-6=±0.2 6-30=±0.4 30-120=±0.6 ANGLES=±5°	DRAWING BY	TITLE	REV.
	SCALE 5/1 UNIT MM DATE 2010/08/12	<i>ARJEMPY</i>	N FEMALE CLAMP TYPE FOR RG213U	A
			WEIJE ELECTRONICS CO.,LTD	

