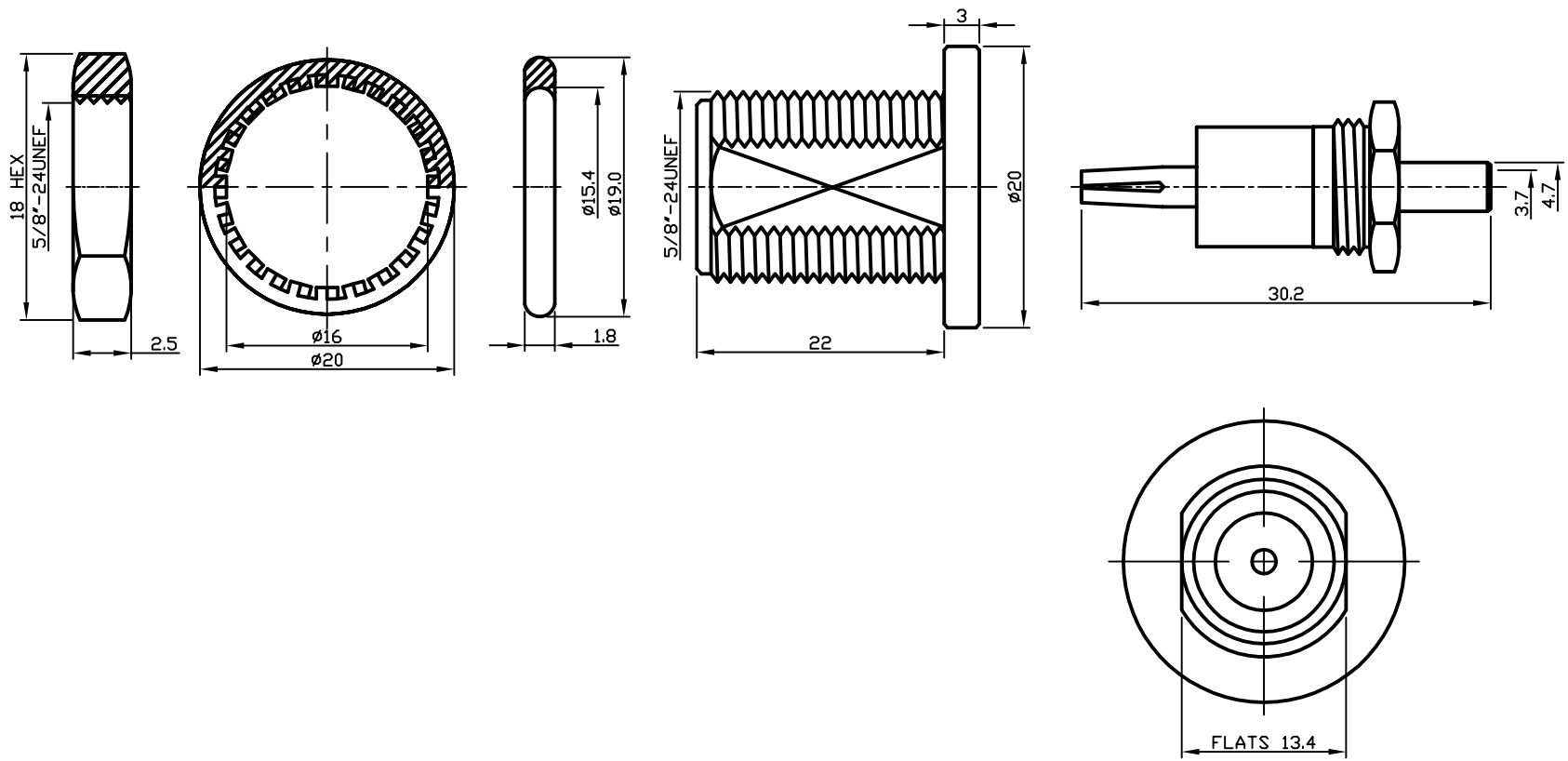


ROHS COMPLIANCE

DATE	DESCRIPTION	REV
11.10.25	NEW RELEASE	A




DO NOT SCALE DRAWING

7	NUT	1	BRASS	NICKEL	
6	GASKET	1	SILICONE	BLACK	
5	WASHER	1	BRASS	NICKEL	
4	PIN	1	BRASS	GOLD	
3	INSULATOR	1	TEFLON	NONE	
2	BODY II	1	BRASS	NICKEL	
1	BODY I	1	BRASS	NICKEL	
NO	Description	Q'ty	Material	Finish	Part Number

UNLESS OTHERWISE SPECIFIED
 1. REMOVE ALL BURRS.
 2. BREAK ALL CONNERS & EDGES CO.15 MAX.
 3. CHAMFER 1ST & LAST THREADS 45°.
 4. DIAMETERS ON COMMON CENTERS.
 TO BE CONCENTRIC WITHIN 0.01 T.I.R.
 5. ALL DIMENSIONS ARE AFTER PLATING.

MAJOR DIMENSIONS
 UNLESS OTHERWISE NOTED TOLERANCES
 0.5-6=±0.2
 6-30=±0.4
 30-120=±0.6
 ANGLES=±5°

APPROVED BY
 CHECKED BY
 DRAWING BY
ARTEMIS
 DATE 2011/10/25

DRAWING NO
N-010-1TGN-402
 TITLE
 N JACK BUK. CLAMP FOR .141(RG402)
 REV. A

 WEIJE ELECTRONICS CO., LTD

8 7 6 5 4 3 2 1