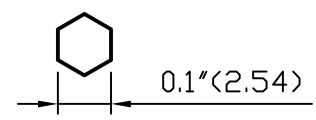
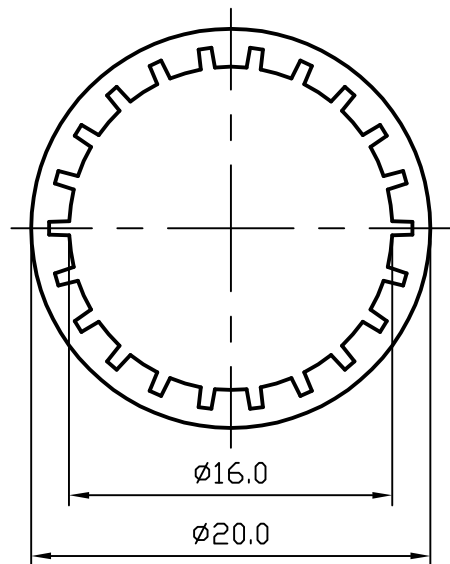
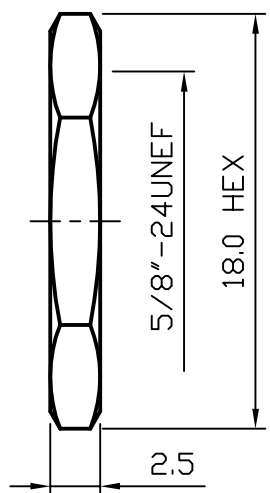
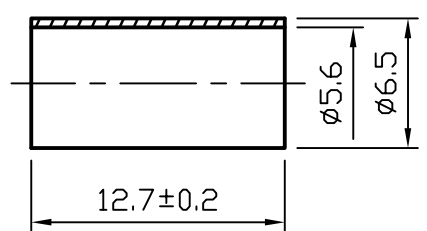
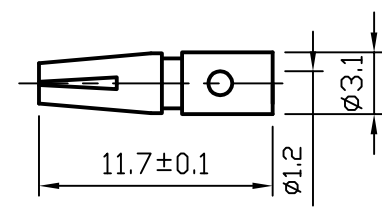
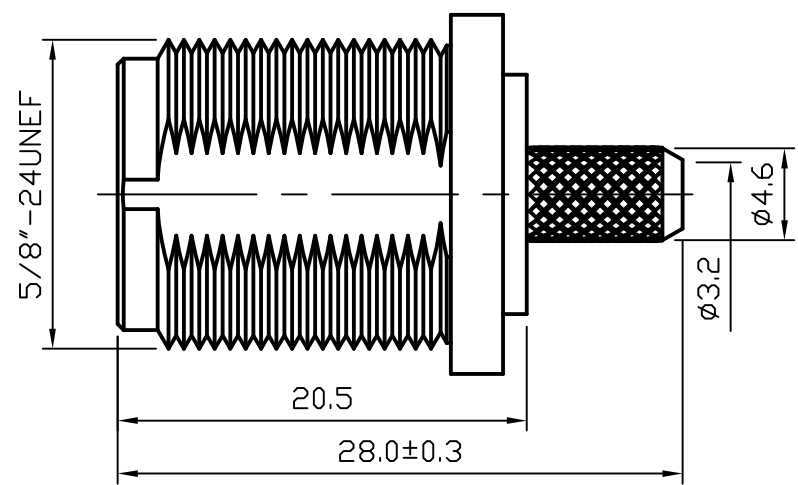
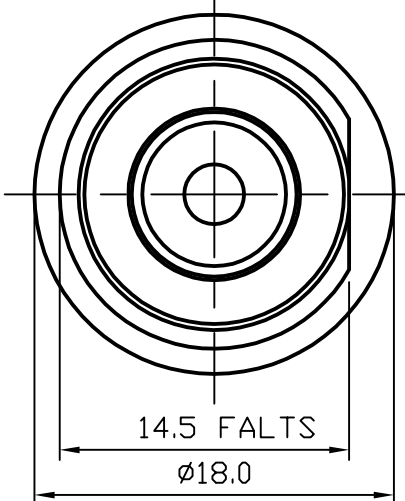
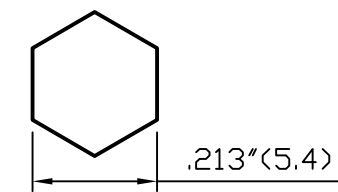


ROHS COMPLIANCE

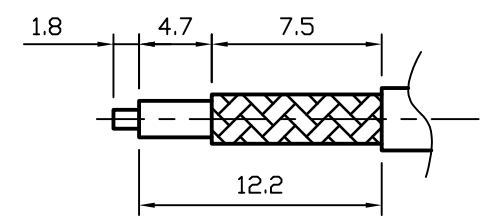
DATE	DESCRIPTION	REV
12.11.21	NEW RELEASE	A



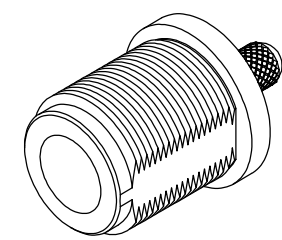
Recommended Crimped Dimensions for Center Pin



Recommended Crimped Dimensions for Ferrule



Recommended Cable Stripping Dimensions



DO NOT SCALE DRAWING

6	NUT	1	BRASS	NICKEL	
5	WASHER	1	STELL	NICKEL	
4	FERRULE	1	BRASS	NICKEL	
3	INSULATOR	1	POM	WHITE	
2	PIN	1	BRASS	GOLD	
1	BODY	2	BRASS	NICKEL	
NO	Description	Q'ty	Material	Finish	Part Number

UNLESS OTHERWISE SPECIFIED
 1. REMOVE ALL BURRS.
 2. BREAK ALL CONNERS & EDGES CO.15 MAX.
 3. CHAMFER 1ST & LAST THREADS 45°.
 4. DIAMETERS ON COMMON CENTERS.
 TO BE CONCENTRIC WITHIN 0.01 T.I.R.
 5. ALL DIMENSIONS ARE AFTER PLATING.

MAJOR DIMENSIONS
 UNLESS OTHERWISE NOTED TOLERANCES
 0.5-6=±0.2
 6-30=±0.4
 30-120=±0.6
 ANGLES=±5°

APPROVED BY
 CHECKED BY
 DRAWING BY
Sheng
 DATE 2012/11/21

DRAWING NO
N-010-1DGN-CFD200
 TITLE
 N JACK BUK. CRIMP FOR CFD200
 REV. A
 WEIJE ELECTRONICS CO., LTD

8 7 6 5 4 3 2 1