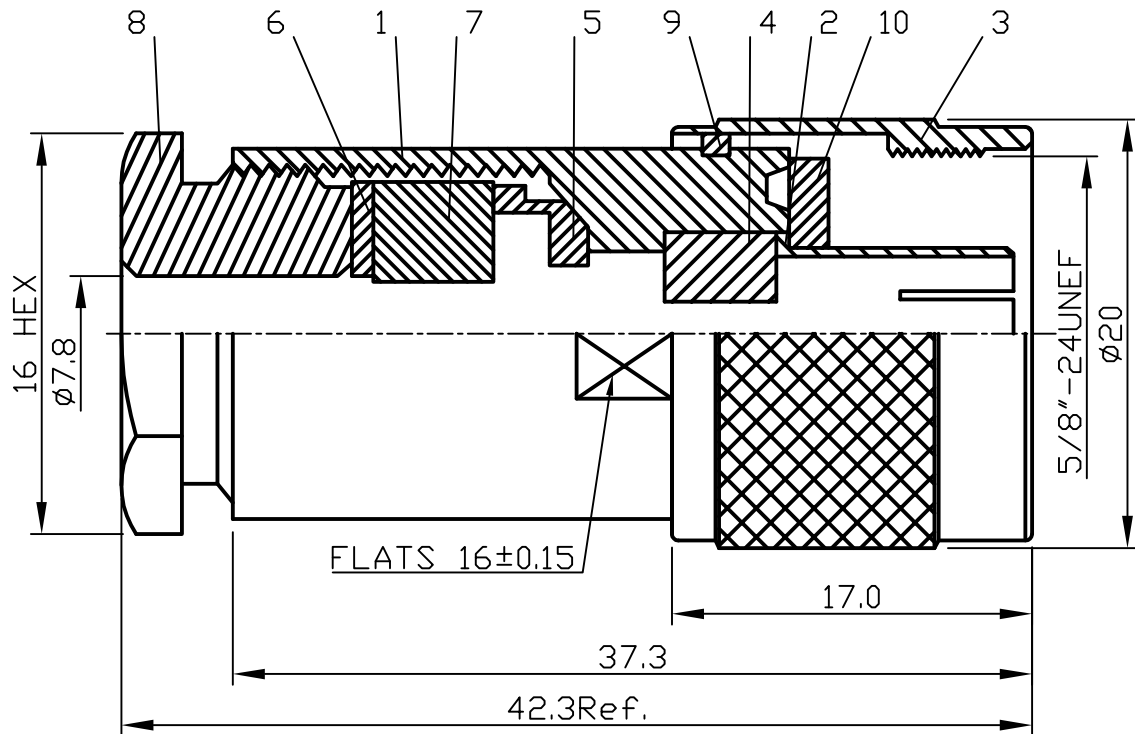
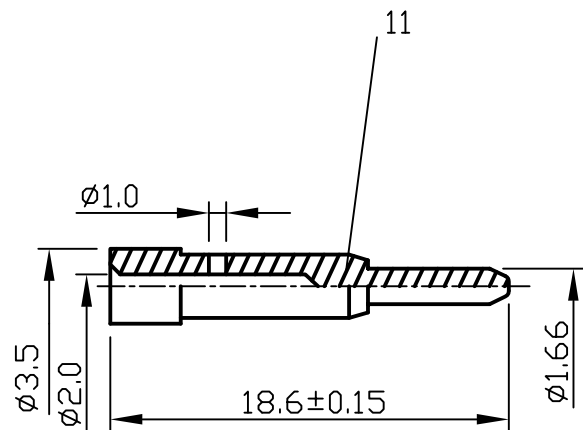


ROHS COMPLIANCE

DATE	DESCRIPTION	REV
09.09.17	NEW RELEASE	A




11	PIN	1	BRASS	GOLD	
10	GASKET	1	RUBBER	RED	
9	WASHER	1	BRASS	NONE	
8	SCREW	1	BRASS	NICKEL	
7	GASKET	1	RUBBER	RED	
6	WASHER	1	BRASS	NICKEL	
5	WASHER	1	BRASS	NICKEL	
4	INSULATOR	1	DELTRIN	WHITE	
3	SHELL	1	BRASS	NICKEL	
2	BODY II	1	BRASS	NICKEL	
1	BODY I	1	BRASS	NICKEL	
NO	Description	Q'ty	Material	Finish	Part Number

UNLESS OTHERWISE SPECIFIED
 1. REMOVE ALL BURRS.
 2. BREAK ALL CONNERS & EDGES CO.15 MAX.
 3. CHAMFER 1ST & LAST THREADS 45°.
 4. DIAMETERS ON COMMON CENTERS.
 TO BE CONCENTRIC WITHIN 0.01 T.I.R.
 5. ALL DIMENSIONS ARE AFTER PLATING.

MAJOR DIMENSIONS
 UNLESS OTHERWISE NOTED TOLERANCES
 0.5-6=±0.2
 6-30=±0.4
 30-120=±0.6
 ANGLES=±5°

APPROVED BY
 CHECKED BY
 DRAWING BY
ARTEMIS
 DATE 2011/02/14

DRAWING NO
N-004-1TGN-L300
 TITLE
N MALE CLAMP TYPE FOR LMR300
 REV. A

WEIJE ELECTRONICS CO., LTD

DO NOT SCALE DRAWING