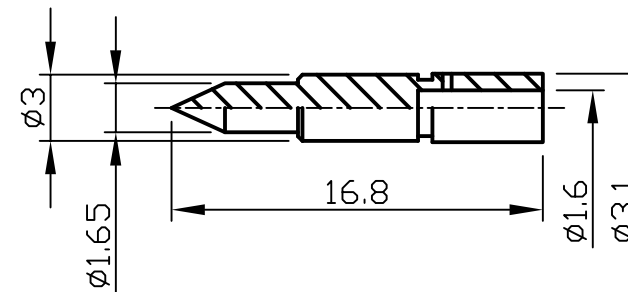
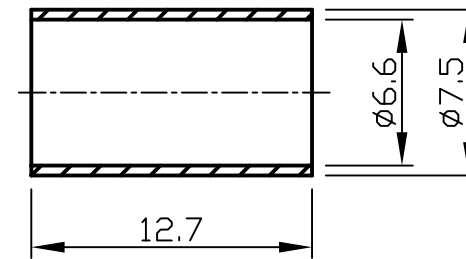
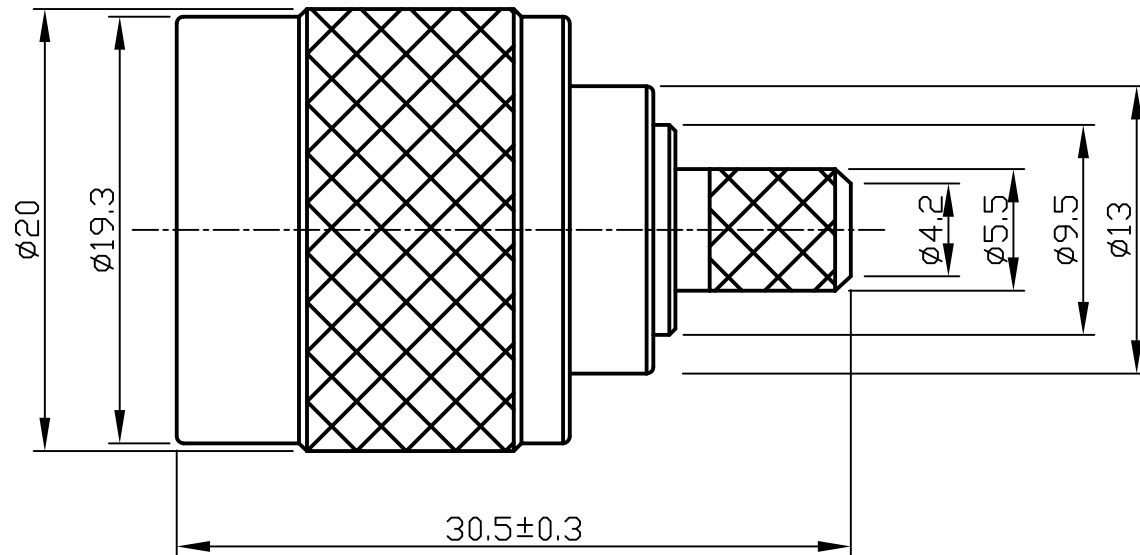


ROHS COMPLIANCE

DATE	DESCRIPTION	REV
12.01.31	NEW RELEASE	A



10					
9					
8	GASKET	1	SI-RUBBER	ORANGE	
7	RETAINING RING	1	BRASS	NICKEL	
6	SHELL	1	BRASS	NICKEL	
5	FERRULE	1	BRASS	NICKEL	
4	DIELECTRIC	1	TEFLON	NONE	
3	DIELECTRIC	1	TEFLON	NONE	
2	PIN	1	BRASS	GOLD	
1	BODY	1	BRASS	NICKEL	
NO	Description	Q'ty	Material	Finish	Part Number

UNLESS OTHERWISE SPECIFIED
 1. REMOVE ALL BURRS.
 2. BREAK ALL CONNERS & EDGES CO.15 MAX.
 3. CHAMFER 1ST & LAST THREADS 45°.
 4. DIAMETERS ON COMMON CENTERS.
 TO BE CONCENTRIC WITHIN 0.01 T. I. R.
 5. ALL DIMENSIONS ARE AFTER PLATING.

MAJOR DIMENSIONS UNLESS OTHERWISE NOTED TOLERANCES
 0.5-6=±0.2
 6-30=±0.4
 30-120=±0.6
 120-315=±1.0
 ANGLES=±1°

APPROVED BY
 CHECKED BY
 DRAWING BY
 DATE 2012/01/31

DRAWING NO
N-001-1TGN-L240
 TITLE
 N MALE CRIMP TYPE FOR LMR240
 REV. A
 **韋杰實業有限公司**
 WEI JE ENTERPRISE CO.,LTD.,

DO NOT SCALE DRAWING