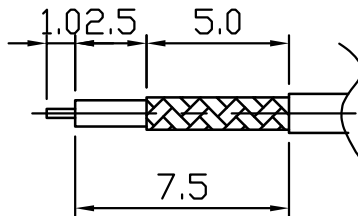
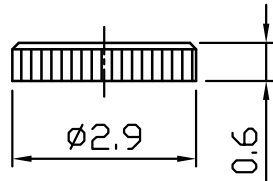
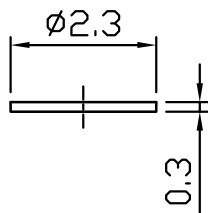
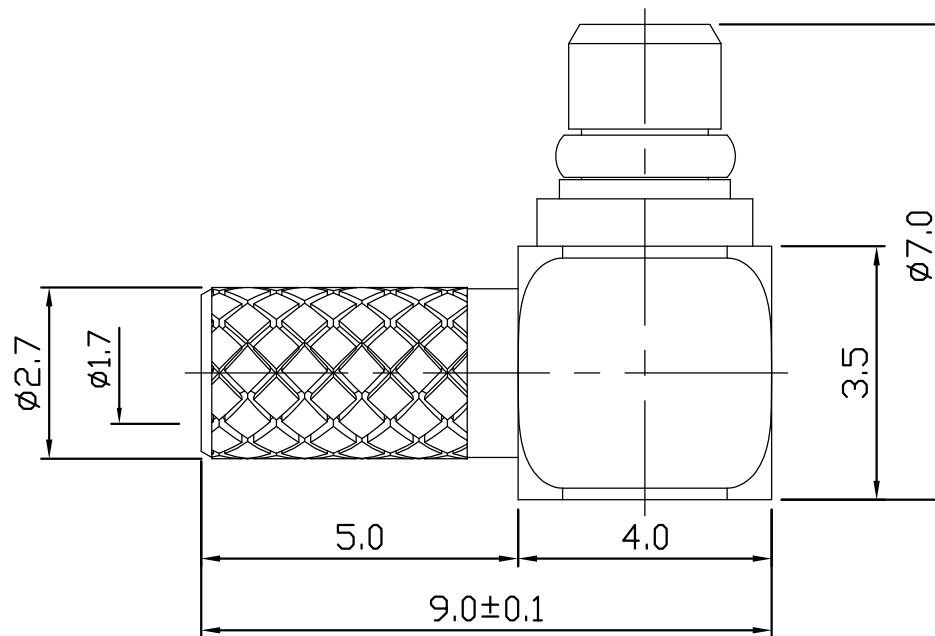
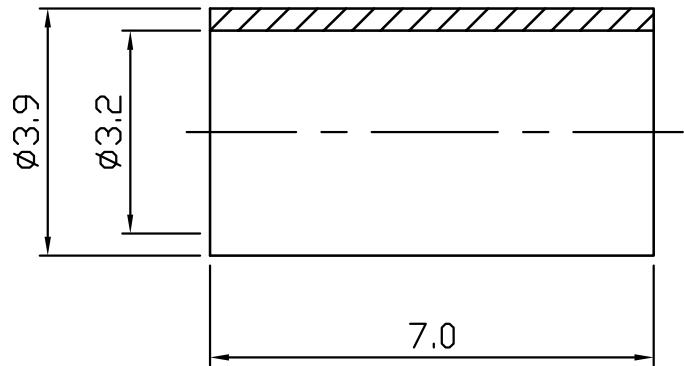
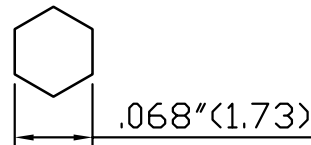


ROHS COMPLIANCE

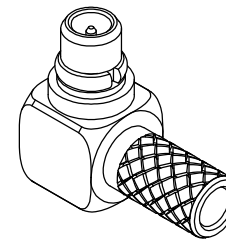
DATE	DESCRIPTION	REV
13.09.09	NEW RELEASE	A



RECOMMENDED
CABLE STRIPPING DIM



Recommended Crimped
Dimensions for Center Pin




DO NOT SCALE DRAWING

7	RING	1	BRASS	GOLD	
6	COVER	1	BRASS	GOLD	
5	INSULATOR	1	POM	WHITE	
4	C-RING	1	BeCu	GOLD	
3	INSULATOR	1	PTFE	WHITE	
2	PIN	1	BRASS	GOLD	
1	BODY	1	BRASS	GOLD	
NO	Description	Q'ty	Material	Finish	Part Number

UNLESS OTHERWISE SPECIFIED
1. REMOVE ALL BURRS.
2. BREAK ALL CONNERS & EDGES CO.15 MAX.
3. CHAMFER 1ST & LAST THREADS 45°.
4. DIAMETERS ON COMMON CENTERS.
TO BE CONCENTRIC WITHIN 0.01 T. I. R.
5. ALL DIMENSIONS ARE AFTER PLATING.

MAJOR DIMENSIONS
UNLESS OTHERWISE NOTED TOLERANCES
0.5-6=±0.2
6-30=±0.4
30-120=±0.6
ANGLES=±5°

APPROVED BY
CHECKED BY
DRAWING BY
Sheng
DATE
2013/09/09

DRAWING NO
MX-005-1TGG-D
TITLE
MMCX MALE R/A CRIMP FOR RG/174U
REV.
A
 WEIJE ELECTRONICS CO., LTD

8 7 6 5 4 3 2 1