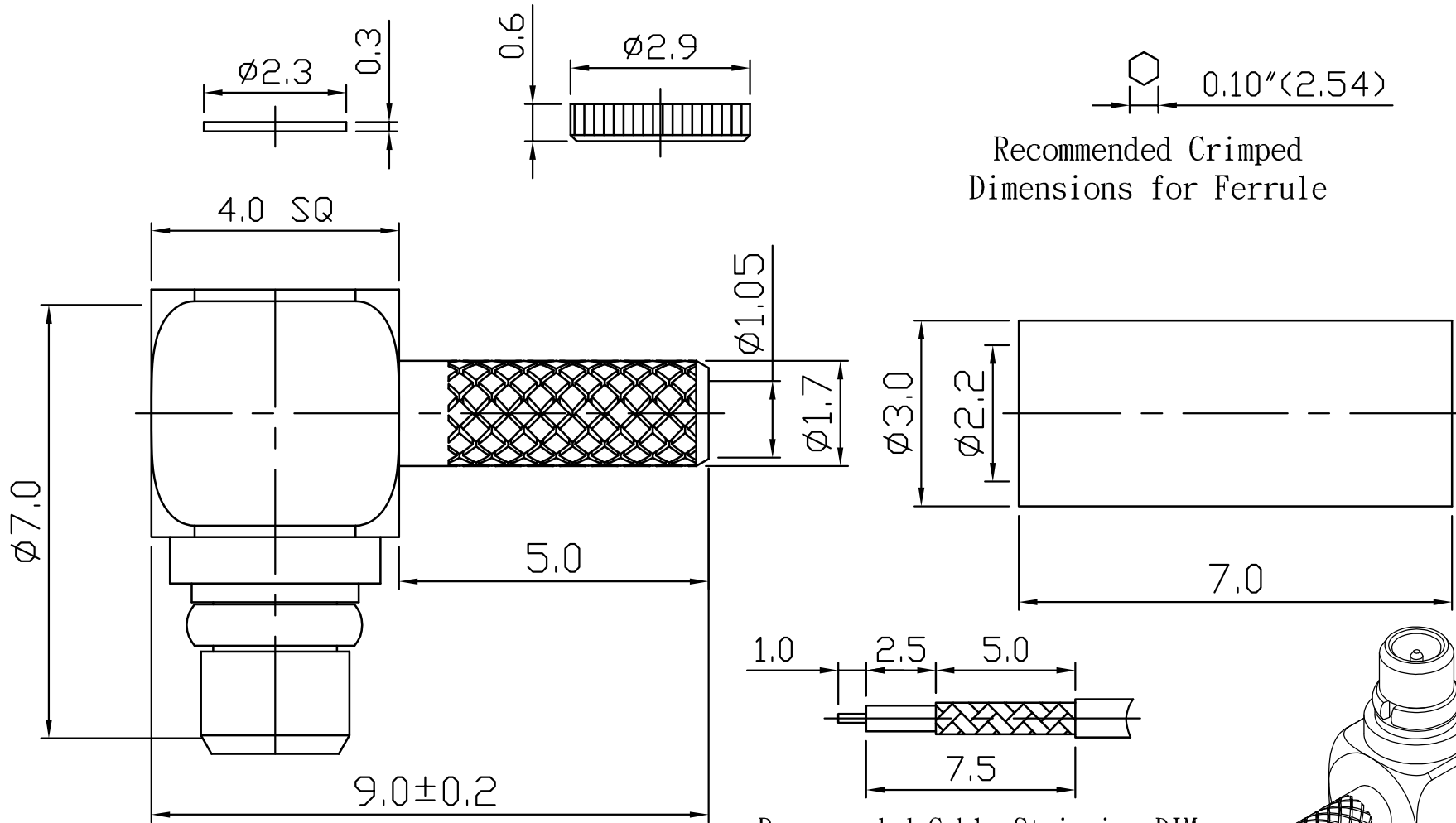


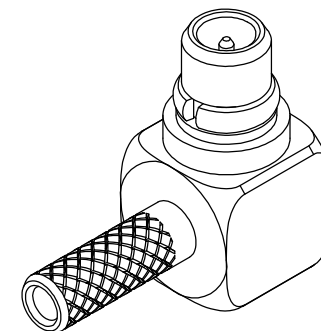
ROHS COMPLIANCE

DATE	DESCRIPTION	REV
13.01.09	NEW RELEASE	A



Recommended Crimped Dimensions for Ferrule

Recommended Cable Stripping DIM




DO NOT SCALE DRAWING

7	RING	1	BRASS	GOLD	
6	COVER	1	BRASS	GOLD	
5	INSULATOR	1	POM	WHITE	
4	C-RING	1	BeCu	GOLD	
3	INSULATOR	1	PTFE	WHITE	
2	PIN	1	BRASS	GOLD	
1	BODY	1	BRASS	GOLD	
NO	Description	Q'ty	Material	Finish	Part Number

UNLESS OTHERWISE SPECIFIED
 1. REMOVE ALL BURRS.
 2. BREAK ALL CONNERS & EDGES CO.15 MAX.
 3. CHAMFER 1ST & LAST THREADS 45°.
 4. DIAMETERS ON COMMON CENTERS.
 TO BE CONCENTRIC WITHIN 0.01 T.I.R.
 5. ALL DIMENSIONS ARE AFTER PLATING.

MAJOR DIMENSIONS
 UNLESS OTHERWISE NOTED TOLERANCES
 0.5-6=±0.2
 6-30=±0.4
 30-120=±0.6
 ANGLES=±5°

APPROVED BY
 CHECKED BY
 DRAWING BY
Sheng
 DATE
 2013/01/09

DRAWING NO
MX-005-1TGG-178U
 TITLE
 MMCX MALE R/A CRIMP FOR RG/178U
 REV.
 A
 WEIJE ELECTRONICS CO., LTD