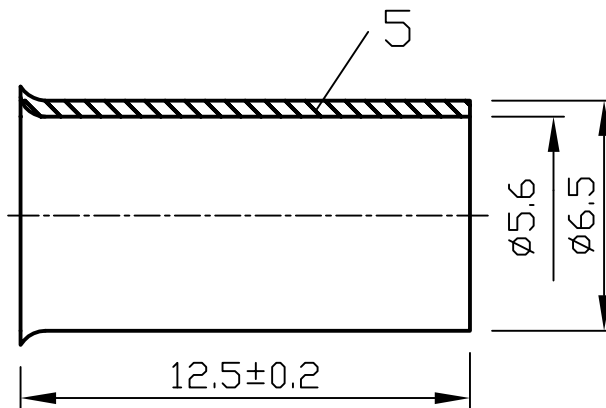
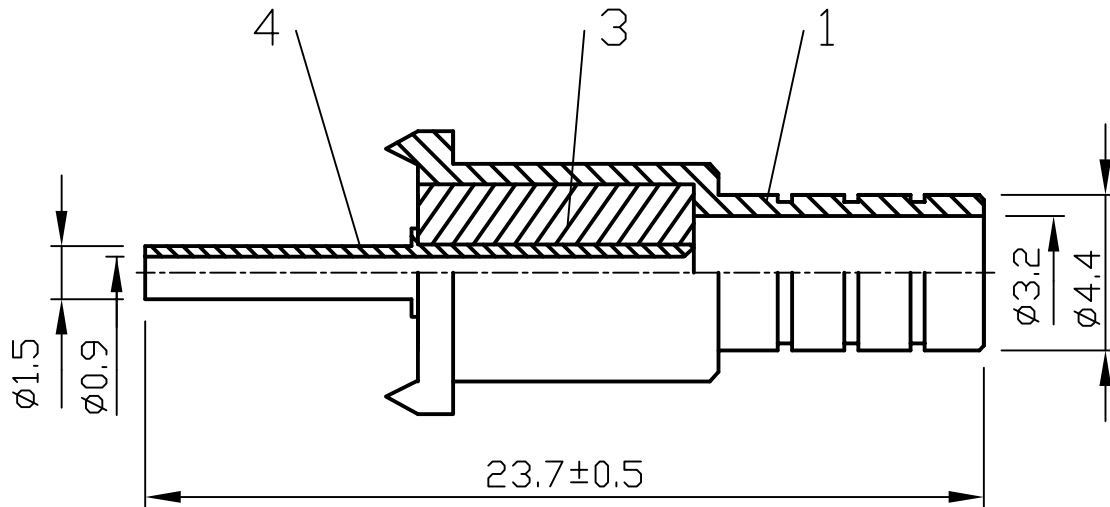
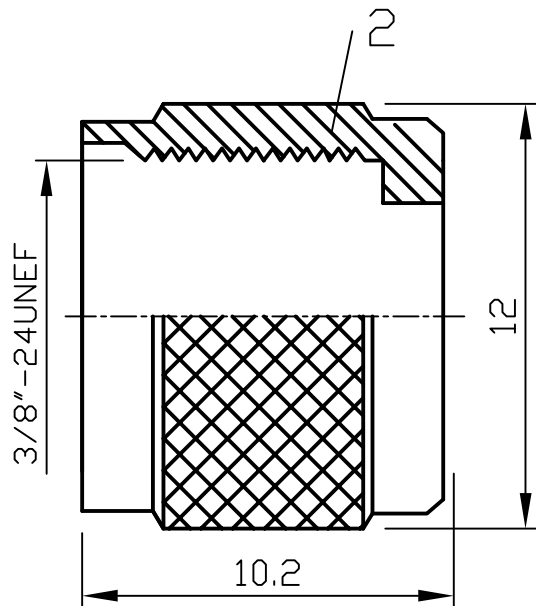


ROHS COMPLIANCE

DATE	DESCRIPTION	REV
09.08.05	NEW RELEASE	A




10					
9					
8					
7					
6					
5	RING	1	BRASS	NICKEL	
4	PIN	1	BRASS	GOLD	
3	INSULATOR	1	DELTRIN	WHITE	
2	SHELL	1	BRASS	NICKEL	
1	BODY	1	BRASS	NICKEL	
NO	Description	Q'ty	Material	Finish	Part Number

UNLESS OTHERWISE SPECIFIED
 1. REMOVE ALL BURRS.
 2. BREAK ALL CONNERS & EDGES CO.15 MAX.
 3. CHAMFER 1ST & LAST THREADS 45°.
 4. DIAMETERS ON COMMON CENTERS.
 TO BE CONCENTRIC WITHIN 0.01 T.I.R.
 5. ALL DIMENSIONS ARE AFTER PLATING.

MAJOR DIMENSIONS
 UNLESS OTHERWISE NOTED TOLERANCES
 0.5-6±0.2
 6-30±0.4
 30-120±0.6
 ANGLES±5°

APPROVED BY
 CHECKED BY
 DRAWING BY
ARJEMPY
 DATE 2010/06/16

DRAWING NO
MU-002-1DGN-A
 TITLE
 MINI UHF MALE CRIMP FOR RG58/U
 REV. **A**

 WEIJE ELECTROICS CO., LTD

DO NOT SCALE DRAWING