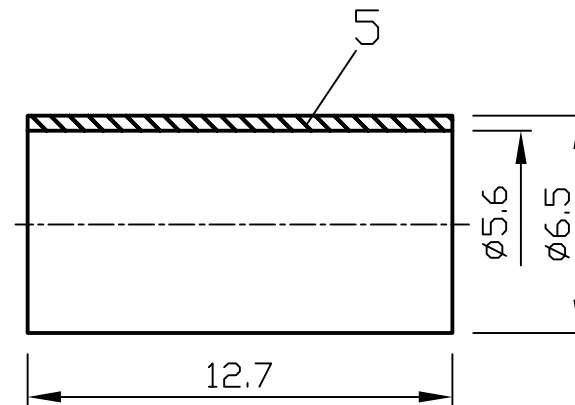
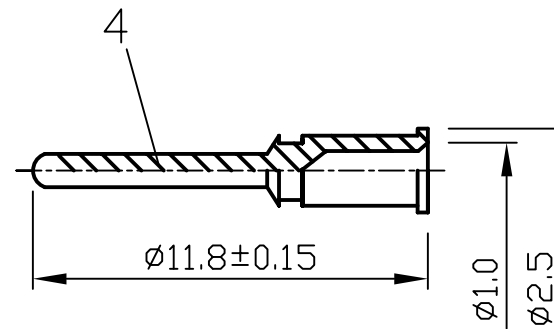
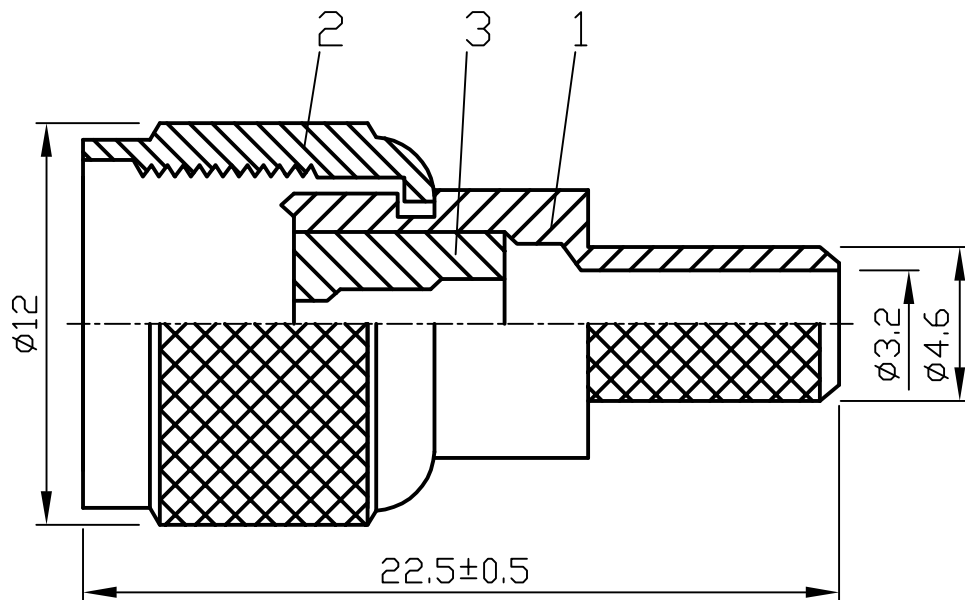



ROHS COMPLIANCE

DATE	DESCRIPTION	REV
09.08.04	NEW RELEASE	A



12					
11					
10					
9					
8					
7					
6					
5	RING	1	BRASS	NICKEL	
4	PIN	1	BRASS	GOLD	
3	INSULATOR	1	DELRIN	WHITE	
2	SHELL	1	BRASS	NICKEL	
1	BODY	1	BRASS	NICKEL	
NO	Description	Q'ty	Material	Finish	Part Number

UNLESS OTHERWISE SPECIFIED 1. REMOVE ALL BURRS. 2. BREAK ALL CONNERS & EDGES CO. 15 MAX. 3. CHAMFER 1ST & LAST THREADS 45°. 4. DIAMETERS ON COMMON CENTERS. TO BE CONCENTRIC WITHIN 0.01 T.I.R. 5. ALL DIMENSIONS ARE AFTER PLATING.	MAJOR DIMENSIONS	APPROVED BY	DRAWING NO	
	UNLESS OTHERWISE NOTED TOLERANCES	CHECKED BY	MU-001-1DGN-A	
	0.5-6=±0.2 6-30=±0.4 30-120=±0.6 ANGLES=±5°	DRAWING BY	MINI UHF MALE CRIMP FOR RG58/U	REV. A
	SCALE 4/1 UNIT MM	DATE 2010/06/16	 WEIJE ELECTRONICS CO., LTD	

DO NOT SCALE DRAWING