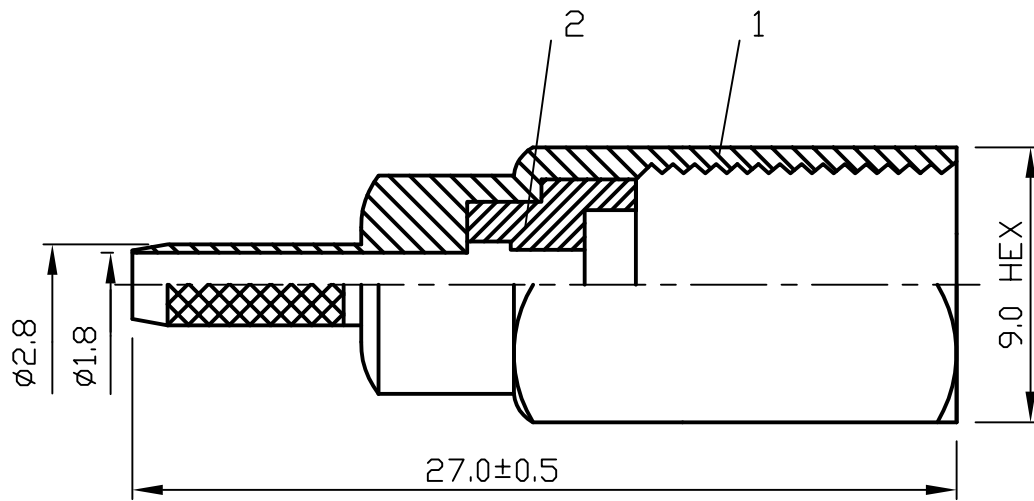
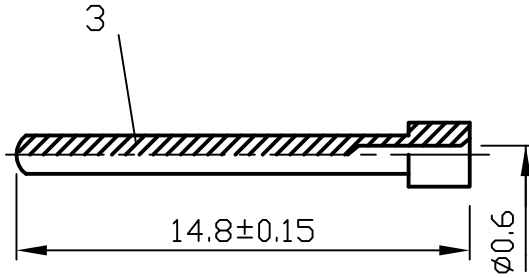
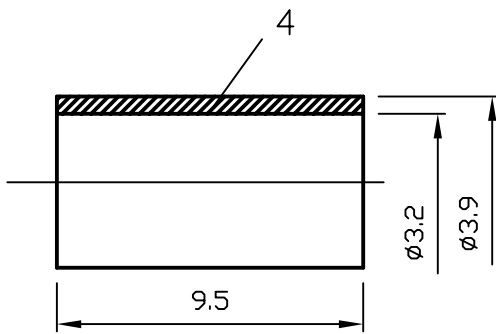


ROHS COMPLIANCE

DATE	DESCRIPTION	REV
10.09.27	NEW RELEASE	A



12					
11					
10					
9					
8					
7					
6					
5					
4	RING	1	BRASS	NICKEL	
3	PIN	1	BRASS	GOLD	
2	INSULATOR	1	DELTRIN	WHITE	
1	BODY	1	BRASS	NICKEL	
NO	Description	Q'ty	Material	Finish	Part Number

UNLESS OTHERWISE SPECIFIED 1. REMOVE ALL BURRS. 2. BREAK ALL CONNERS & EDGES CO. 15 MAX. 3. CHAMFER 1ST & LAST THREADS 45°. 4. DIAMETERS ON COMMON CENTERS. TO BE CONCENTRIC WITHIN 0.01 T.I.R. 5. ALL DIMENSIONS ARE AFTER PLATING.	MAJOR DIMENSIONS	APPROVED BY	DRAWING NO	
	UNLESS OTHERWISE NOTED TOLERANCES	CHECKED BY	FE-013-1DGN-D	
	0.5-6=±0.2 6-30=±0.4 30-120=±0.6 ANGLES=±5°	DRAWING BY	TITLE	FME MALE CRIMP FOR RG174/U
	SCALE 4/1 UNIT MM	DATE	REV.	A
		2011/02/08	WEIJE ELECTRONICS CO., LTD	



DO NOT SCALE DRAWING