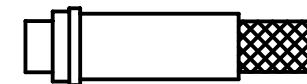
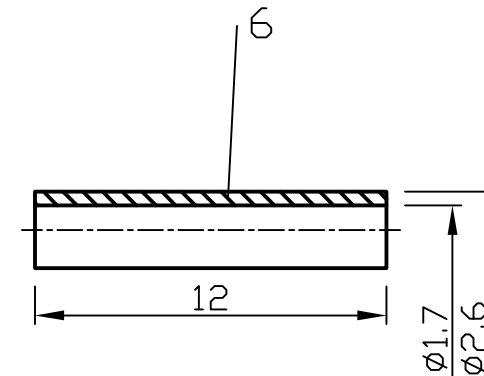
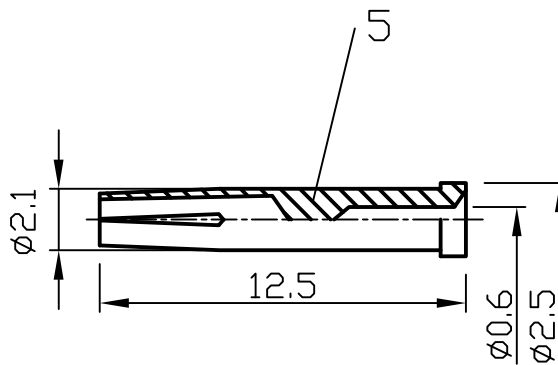
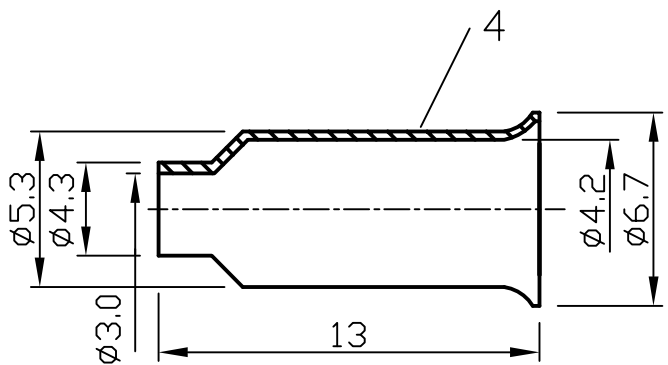
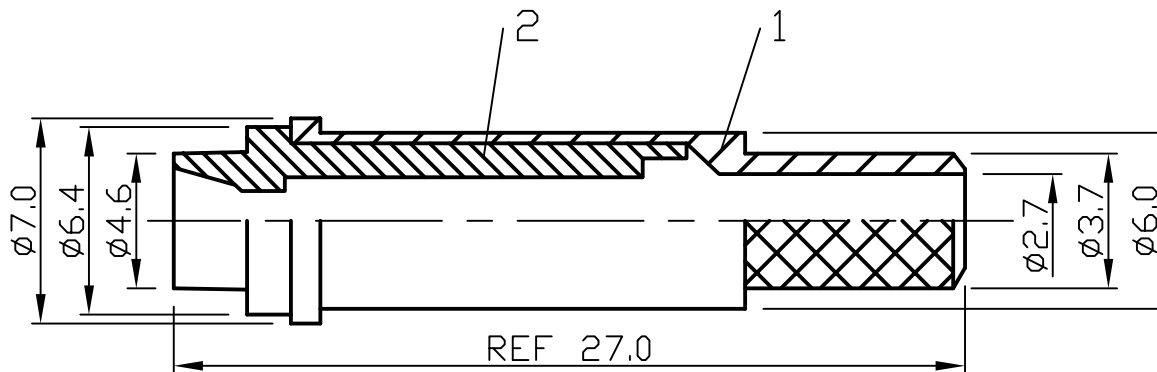
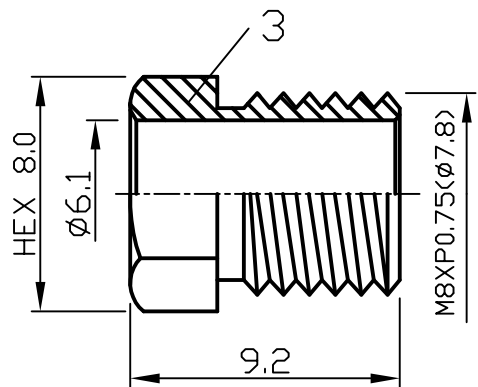


ROHS COMPLIANCE

DATE	DESCRIPTION	REV
09.07.14	NEW RELEASE	A




DO NOT SCALE DRAWING

12					
11					
10					
9					
8					
7					
6	PLASTIC TUBE	1	PVC	WHITE	
5	PIN	1	BRASS	GOLD	
4	RING	1	BRASS	NICKEL	
3	NUT	1	BRASS	NICKEL	
2	INSULATOR	1	DELTRIN	WHITE	
1	BODY	1	BRASS	NICKEL	
NO	Description	Q'ty	Material	Finish	Part Number

UNLESS OTHERWISE SPECIFIED  
 1. REMOVE ALL BURRS.  
 2. BREAK ALL CONNERS & EDGES CO.15 MAX.  
 3. CHAMFER 1ST & LAST THREADS 45°.  
 4. DIAMETERS ON COMMON CENTERS.  
 TO BE CONCENTRIC WITHIN 0.01 T.I.R.  
 5. ALL DIMENSIONS ARE AFTER PLATING.

MAJOR DIMENSIONS  
 UNLESS OTHERWISE NOTED TOLERANCES  
 0.5-6=±0.2  
 6-30=±0.4  
 30-120=±0.6  
 ANGLES=±5°

APPROVED BY  
 CHECKED BY  
 DRAWING BY  
*ARTEMIS*  
 DATE 2010/06/16

DRAWING NO  
**FE-001-1DGN-D**  
 TITLE  
**FME FEMALE CRIMP FOR RG174U**  
 REV. **A**  
  
**WEIJE ELECTRONICS CO., LTD**

SCALE 4/1 UNIT MM