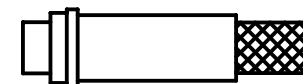
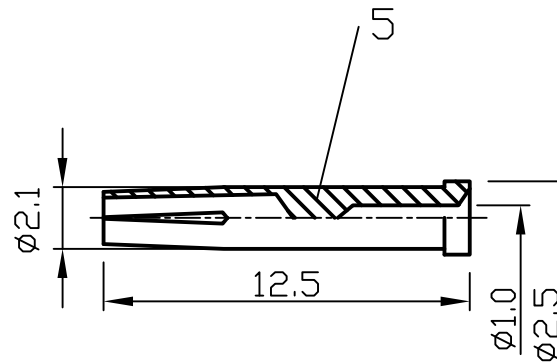
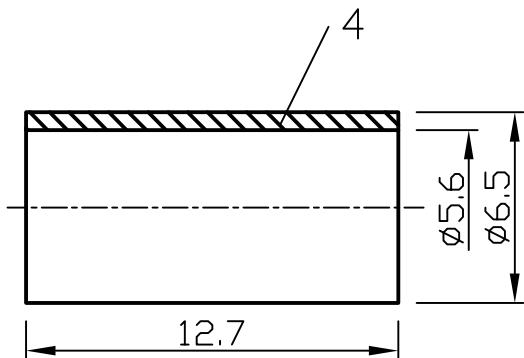
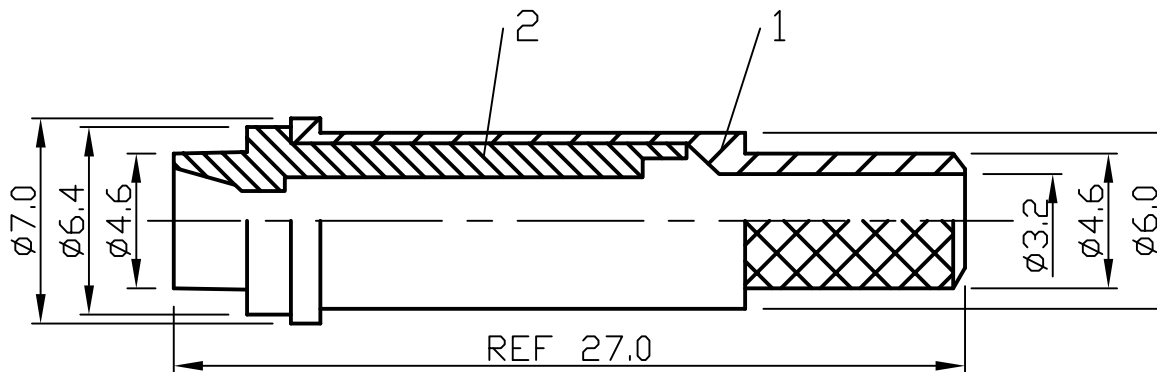
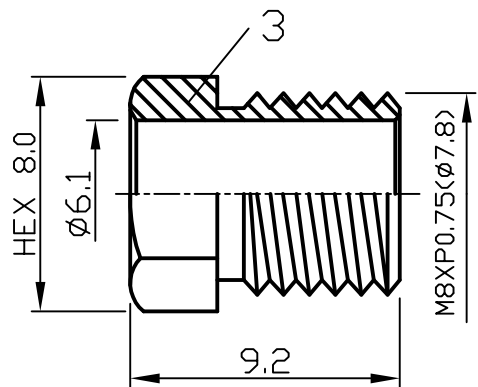


ROHS COMPLIANCE

DATE	DESCRIPTION	REV
09.07.14	NEW RELEASE	A



12					
11					
10					
9					
8					
7					
6					
5	PIN	1	BRASS	GOLD	
4	RING	1	BRASS	NICKEL	
3	NUT	1	BRASS	NICKEL	
2	INSULATOR	1	DELTRIN	WHITE	
1	BODY	1	BRASS	NICKEL	
NO	Description	Q'ty	Material	Finish	Part Number

UNLESS OTHERWISE SPECIFIED 1. REMOVE ALL BURRS. 2. BREAK ALL CONNERS & EDGES CO.15 MAX. 3. CHAMFER 1ST & LAST THREADS 45°. 4. DIAMETERS ON COMMON CENTERS. TO BE CONCENTRIC WITHIN 0.01 T.I.R. 5. ALL DIMENSIONS ARE AFTER PLATING.	MAJOR DIMENSIONS	APPROVED BY	DRAWING NO
	UNLESS OTHERWISE NOTED TOLERANCES	CHECKED BY	FE-001-1DGN-A
	0.5-6=±0.2	DRAWING BY	TITLE
	6-30=±0.4	ARJEMPY	FME FEMALE CRIMP FOR RG58U
30-120=±0.6	DATE	REV.	A
ANGLES=±5°	2010/06/16		
SCALE 4/1 UNIT MM	WeiJe Electronics CO., LTD		

DO NOT SCALE DRAWING