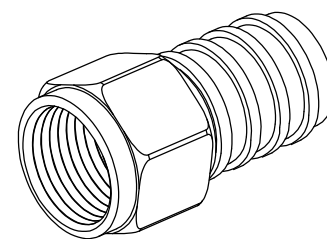
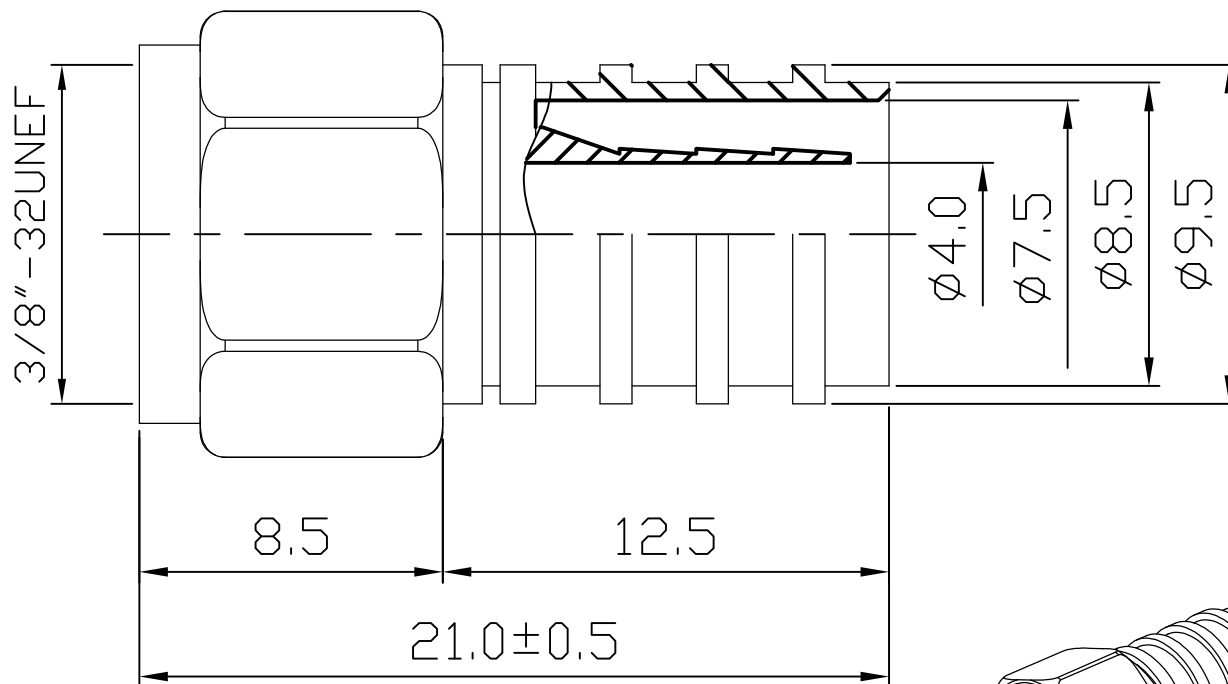
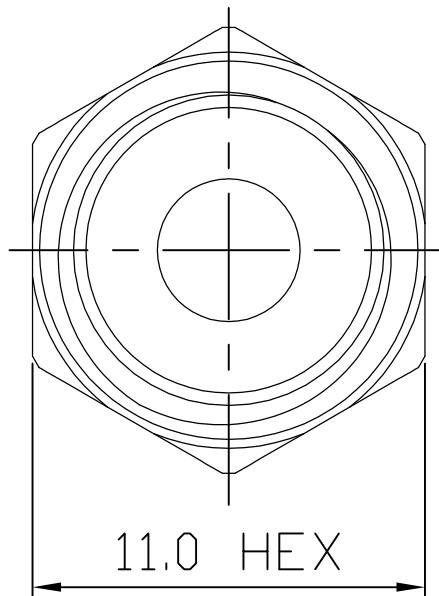


ROHS COMPLIANCE

DATE	DESCRIPTION	REV
13.03.21	NEW RELEASE	A




DO NOT SCALE DRAWING

NO	Description	Q'ty	Material	Finish	Part Number
3	BODY	1	BRASS	NICKEL	
2	BODY	1	BRASS	NICKEL	
1	SHELL	1	BRASS	NICKEL	

UNLESS OTHERWISE SPECIFIED
 1. REMOVE ALL BURRS.
 2. BREAK ALL CONNERS & EDGES CO.15 MAX.
 3. CHAMFER 1ST & LAST THREADS 45°.
 4. DIAMETERS ON COMMON CENTERS.
 TO BE CONCENTRIC WITHIN 0.01 T.I.R.
 5. ALL DIMENSIONS ARE AFTER PLATING.

MAJOR DIMENSIONS
 UNLESS OTHERWISE NOTED TOLERANCES
 0.5-6=±0.2
 6-30=±0.4
 30-120=±0.6
 ANGLES=±5°

APPROVED BY
 CHECKED BY
 DRAWING BY
Sheng
 DATE 2013/03/21

DRAWING NO
F-006-1N-B
 TITLE
F CONNECTOR(59U)
 REV.
A

WEIJE ELECTROICS CO., LTD

8 7 6 5 4 3 2 1