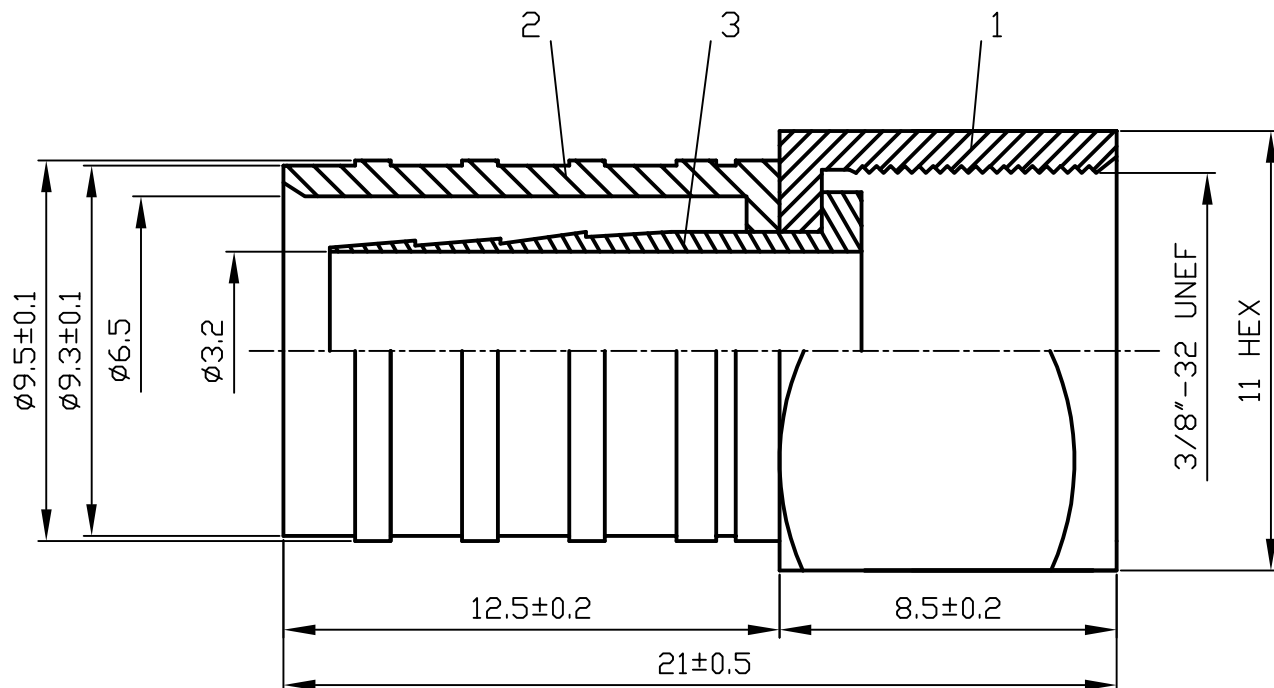



ROHS COMPLIANCE

DATE	DESCRIPTION	REV
09.07.07	NEW RELEASE	A



10					
9					
8					
7					
6					
5					
4					
3	BODY	1	BRASS	NICKEL	
2	BODY	1	BRASS	NICKEL	
1	SHELL	1	BRASS	NICKEL	
NO	Description	Q'ty	Material	Finish	Part Number

<p>UNLESS OTHERWISE SPECIFIED</p> <p>1. REMOVE ALL BURRS.</p> <p>2. BREAK ALL CONNERS & EDGES CO.15 MAX.</p> <p>3. CHAMFER 1ST & LAST THREADS 45°.</p> <p>4. DIAMETERS ON COMMON CENTERS.</p> <p>TO BE CONCENTRIC WITHIN 0.01 T.I.R.</p> <p>5. ALL DIMENSIONS ARE AFTER PLATING.</p>	<p>MAJOR DIMENSIONS</p> <p>UNLESS OTHERWISE NOTED TOLERANCES</p> <p>0.5-6=±0.2</p> <p>6-30=±0.4</p> <p>30-120=±0.6</p> <p>ANGLES=±5°</p>	<p>APPROVED BY</p> <p>CHECKED BY</p> <p>DRAWING BY</p> <p><i>L&O</i></p>	<p>DRAWING NO</p> <p>F-006-1N-A</p>
	<p>SCALE 5/1 UNIT MM</p> <p>DATE 2010/06/16</p>	<p>TITLE</p> <p>F CONNECTOR(58U/3C)</p>	<p>REV.</p> <p>A</p>
	<p>WEIJE ELECTRONICS CO., LTD</p>		
			

DO NOT SCALE DRAWING