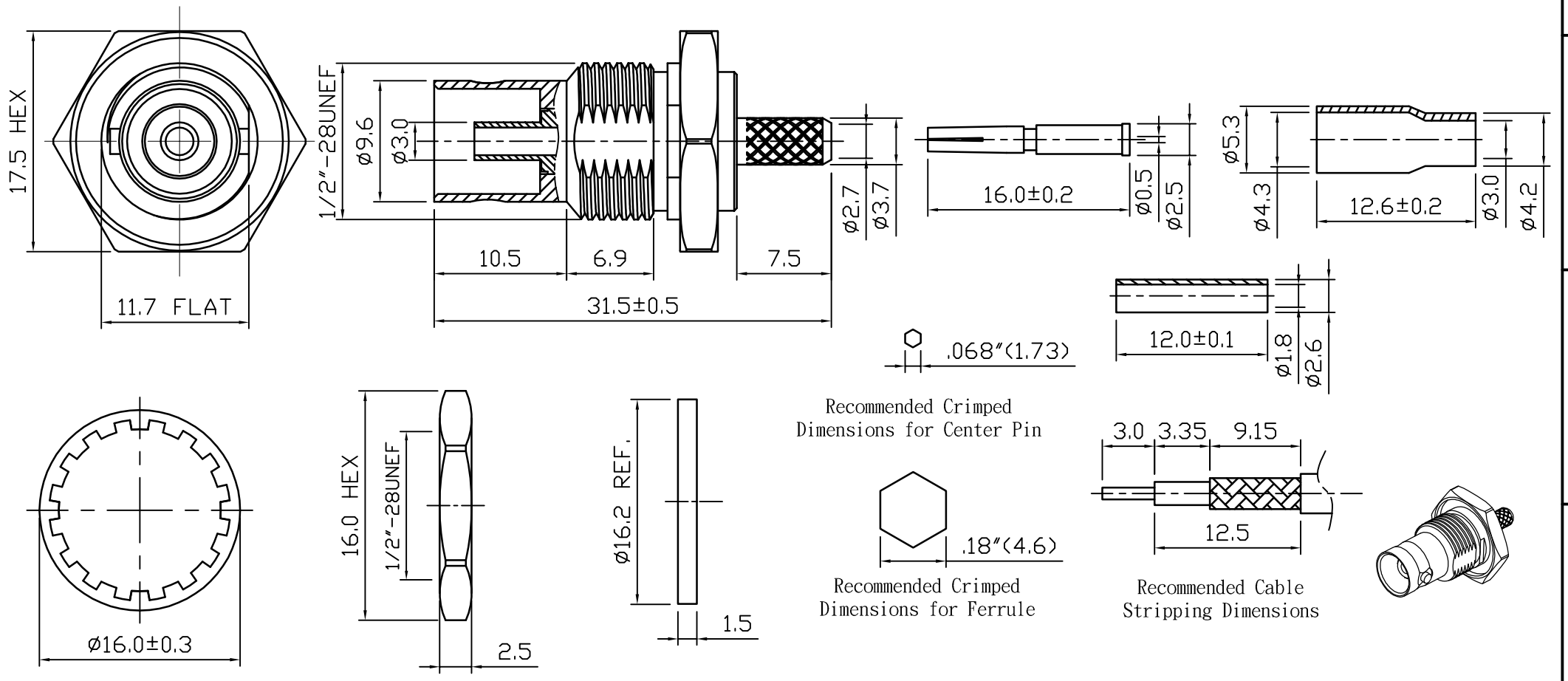
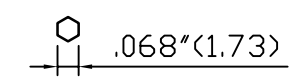


ROHS COMPLIANCE

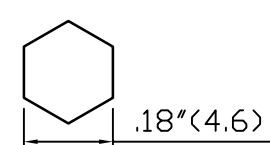
DATE	DESCRIPTION	REV
10.06.16	NEW RELEASE	A



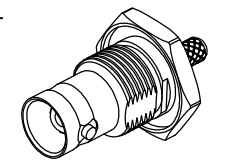
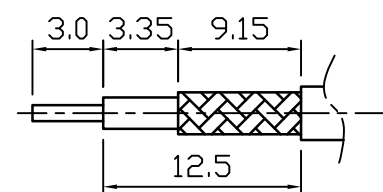
Recommended Crimped Dimensions for Center Pin



Recommended Crimped Dimensions for Ferrule



Recommended Cable Stripping Dimensions




DO NOT SCALE DRAWING

8	PLASTIC TUBE	1	POM	WHITE	
7	RING	1	BRASS	NICKEL	
6	WASHER	1	STEEL	NICKEL	
5	NUT	1	BRASS	NICKEL	
4	GASKET	1	PVC	ORANGE	
3	INSULATOR	1	POM	WHITE	
2	PIN	1	BRASS	GOLD	
1	BODY	2	BRASS	NICKEL	
NO	Description	Q'ty	Material	Finish	Part Number

UNLESS OTHERWISE SPECIFIED  
 1. REMOVE ALL BURRS.  
 2. BREAK ALL CONNERS & EDGES CO.15 MAX.  
 3. CHAMFER 1ST & LAST THREADS 45°.  
 4. DIAMETERS ON COMMON CENTERS.  
 TO BE CONCENTRIC WITHIN 0.01 T. I. R.  
 5. ALL DIMENSIONS ARE AFTER PLATING.

MAJOR DIMENSIONS  
 UNLESS OTHERWISE NOTED TOLERANCES  
 0.5-6=±0.2  
 6-30=±0.4  
 30-120=±0.6  
 ANGLES=±5°

APPROVED BY  
 CHECKED BY  
 DRAWING BY  
*Sheng*  
 DATE 2014/07/22

DRAWING NO  
**B-023-1DGN-179U-75**  
 TITLE  
 BNC JACK CRIMP FOR RG179/U(75ohm)  
 REV. A  
 WEIJE ELECTRONICS CO., LTD

8 7 6 5 4 3 2 1