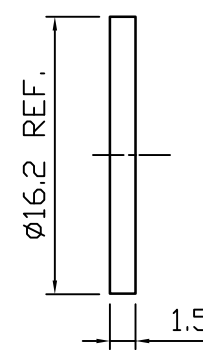
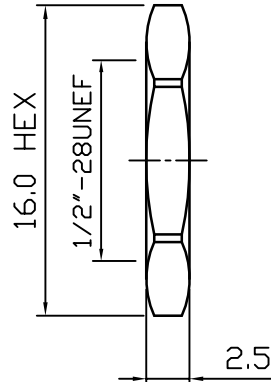
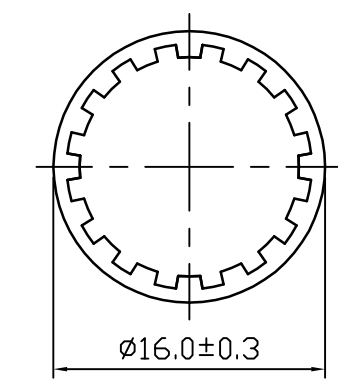
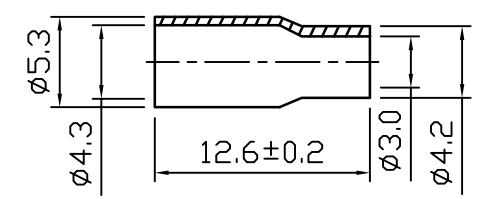
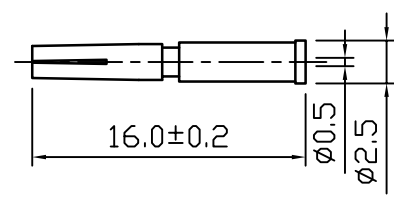
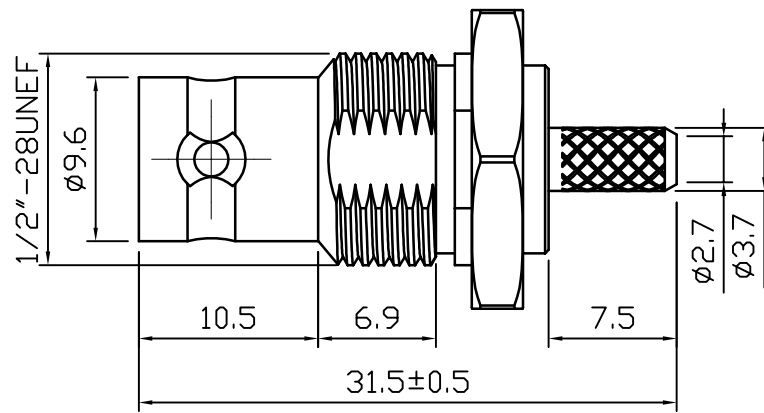
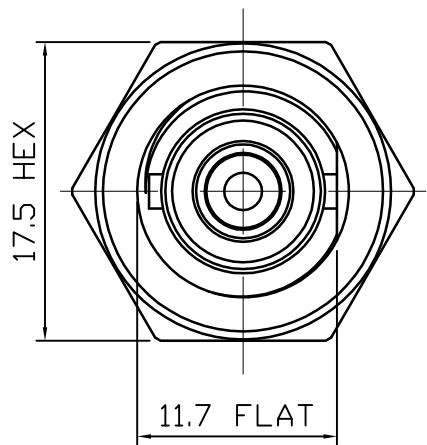
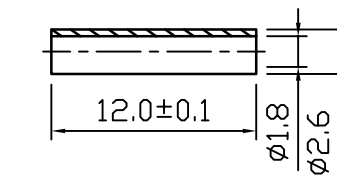
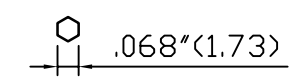


ROHS COMPLIANCE

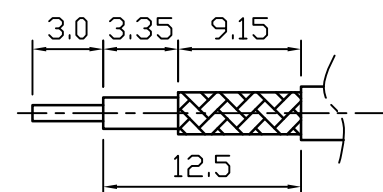
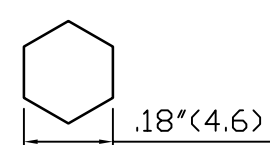
DATE	DESCRIPTION	REV
10.12.21	NEW RELEASE	A



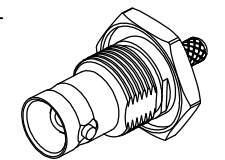
Recommended Crimped Dimensions for Center Pin



Recommended Crimped Dimensions for Ferrule



Recommended Cable Stripping Dimensions



DO NOT SCALE DRAWING

8	PLASTIC TUBE	1	POM	WHITE	
7	RING	1	BRASS	NICKEL	
6	WASHER	1	STEEL	NICKEL	
5	NUT	1	BRASS	NICKEL	
4	GASKET	1	PVC	ORANGE	
3	INSULATOR	1	POM	WHITE	
2	PIN	1	BRASS	GOLD	
1	BODY	2	BRASS	NICKEL	
NO	Description	Q'ty	Material	Finish	Part Number

UNLESS OTHERWISE SPECIFIED		MAJOR DIMENSIONS		APPROVED BY	
1. REMOVE ALL BURRS.		UNLESS OTHERWISE NOTED TOLERANCES		CHECKED BY	
2. BREAK ALL CONNERS & EDGES CO.15 MAX.		0.5-6=±0.2		DRAWING BY	
3. CHAMFER 1ST & LAST THREADS 45°.		6-30=±0.4		Sheng	
4. DIAMETERS ON COMMON CENTERS.		30-120=±0.6		DATE	
5. ALL DIMENSIONS ARE AFTER PLATING.		ANGLES=±5°		2014/07/22	
SCALE	4/1	UNIT	MM		

DRAWING NO		B-023-1DGN-178U	
TITLE		BNC JACK CRIMP FOR RG178/U	
REV.		A	
WEIJE		WEIJE ELECTRONICS CO., LTD	

8 7 6 5 4 3 2 1