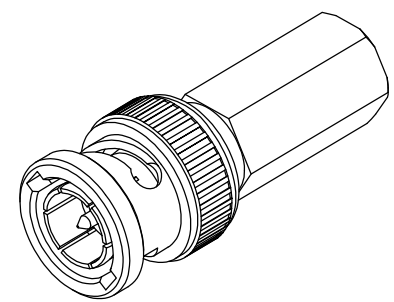
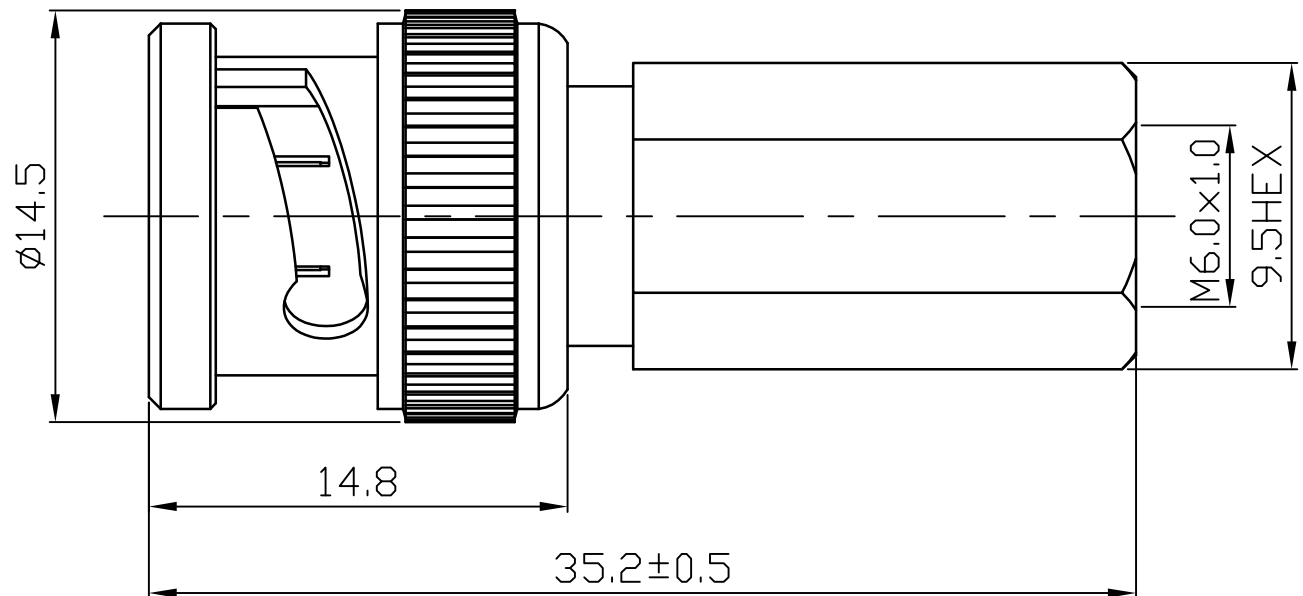


ROHS COMPLIANCE

DATE	DESCRIPTION	REV
13.03.08	NEW RELEASE	A



9	GASKET	1	PVC	RED	
8	WASHER	1	STEEL	NICKEL	
7	SPRING	1	SK-5	NICKEL	
6	WASHER	1	STEEL	NICKEL	
5	INSULATOR	1	POM	WHITE	
4	INSULATOR	1	POM	WHITE	
3	PIN	1	BRASS	GOLD	
2	BODY	1	BRASS	NICKEL	
1	SHELL	1	ZINC	NICKEL	
NO	Description	Q'ty	Material	Finish	Part Number

UNLESS OTHERWISE SPECIFIED 1. REMOVE ALL BURRS. 2. BREAK ALL CONNERS & EDGES CO.15 MAX. 3. CHAMFER 1ST & LAST THREADS 45°. 4. DIAMETERS ON COMMON CENTERS. TO BE CONCENTRIC WITHIN 0.01 T. I. R. 5. ALL DIMENSIONS ARE AFTER PLATING.	MAJOR DIMENSIONS	APPROVED BY	DRAWING NO
	UNLESS OTHERWISE NOTED TOLERANCES	CHECKED BY	B-012-2DGN-B-75
	0.5-6=±0.2	DRAWING BY	TITLE
	6-30=±0.4	Sheng	BNC MALE TWIST ON FOR RG/59U
30-120=±0.6	DATE	REV.	A
ANGLES=±5°	2013/03/08	WEIJE ELECTRONICS CO., LTD	
SCALE 4/1 UNIT MM			

DO NOT SCALE DRAWING