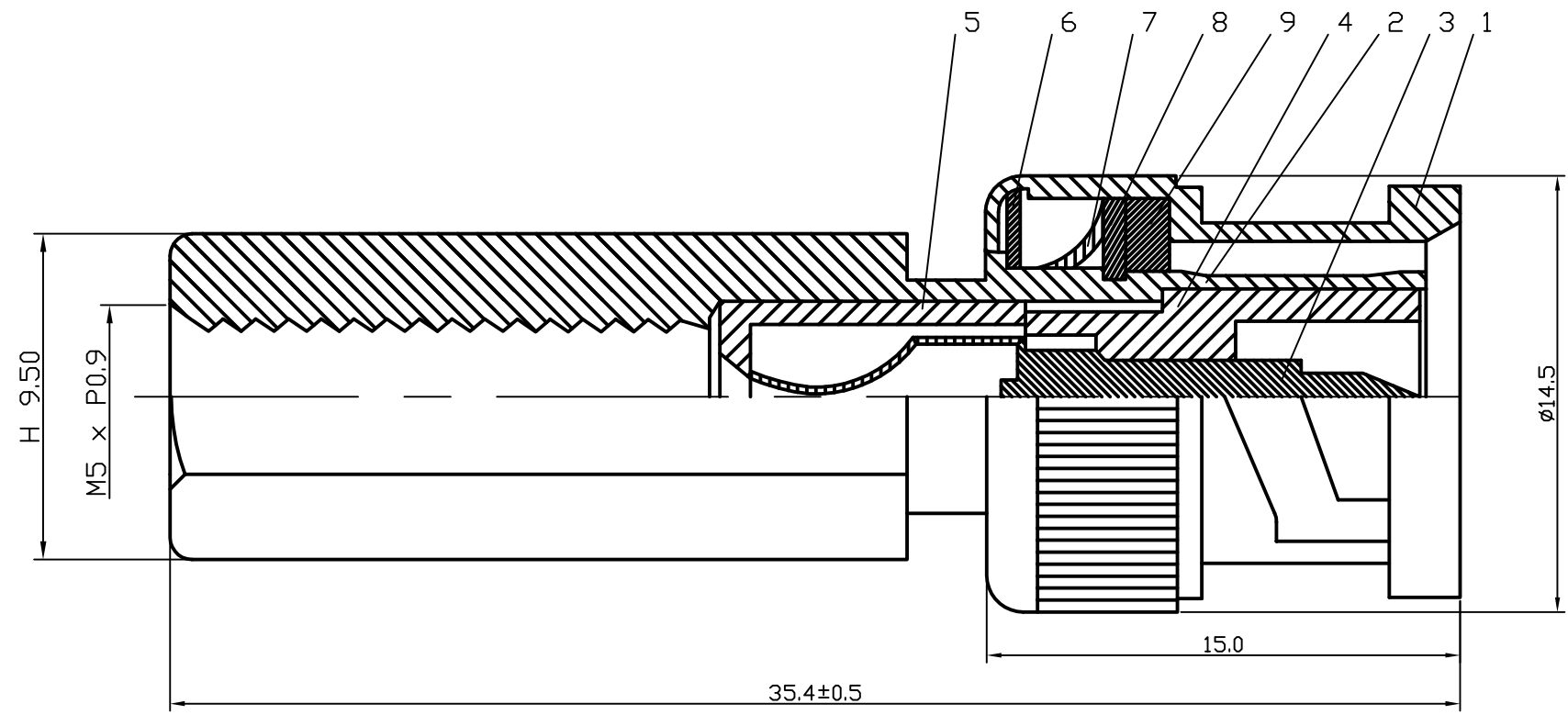


ROHS COMPLIANCE

DATE	DESCRIPTION	REV
09.01.06	NEW RELEASE	A



9	GASKET	1	PVC	RED	
8	WASHER	1	STEEL	NICKEL	
7	SPRING	1	SK-5	NICKEL	
6	WASHER	1	STEEL	NICKEL	
5	INSULATOR	1	DELTRIN	WHITE	
4	INSULATOR	1	DELTRIN	WHITE	
3	PIN	1	BRASS	GOLD	
2	BODY	1	BRASS	NICKEL	
1	SHELL	1	ZINC	NICKEL	
NO	Description	Q'ty	Material	Finish	Part Number

UNLESS OTHERWISE SPECIFIED
 1. REMOVE ALL BURRS.
 2. BREAK ALL CONNERS & EDGES CO.15 MAX.
 3. CHAMFER 1ST & LAST THREADS 45°.
 4. DIAMETERS ON COMMON CENTERS.
 TO BE CONCENTRIC WITHIN 0.01 T.I.R.
 5. ALL DIMENSIONS ARE AFTER PLATING.


MAJOR DIMENSIONS
 UNLESS OTHERWISE NOTED TOLERANCES
 0.5-6=±0.2
 6-30=±0.4
 30-120=±0.6
 ANGLES=±5°

APPROVED BY
 CHECKED BY
 DRAWING BY
ARTEMYY
 DATE 2010/12/20

DRAWING NO
B-012-2DGN-A

TITLE
BNC MALE TWIST ON FOR RG/58U

REV.
A

 **WEIJE ELECTRONICS CO., LTD**

DO NOT SCALE DRAWING