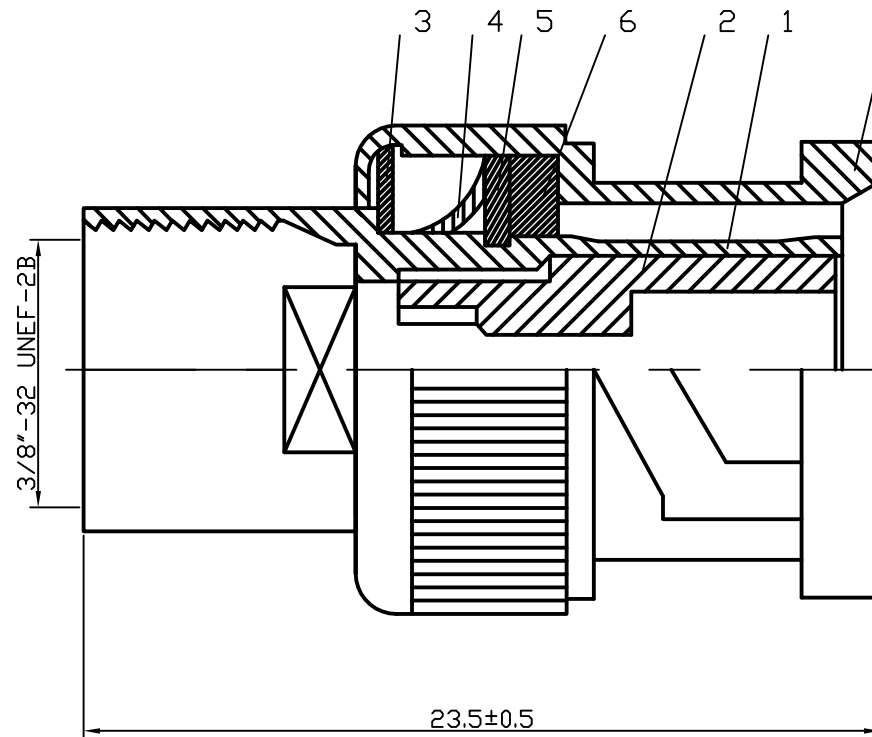
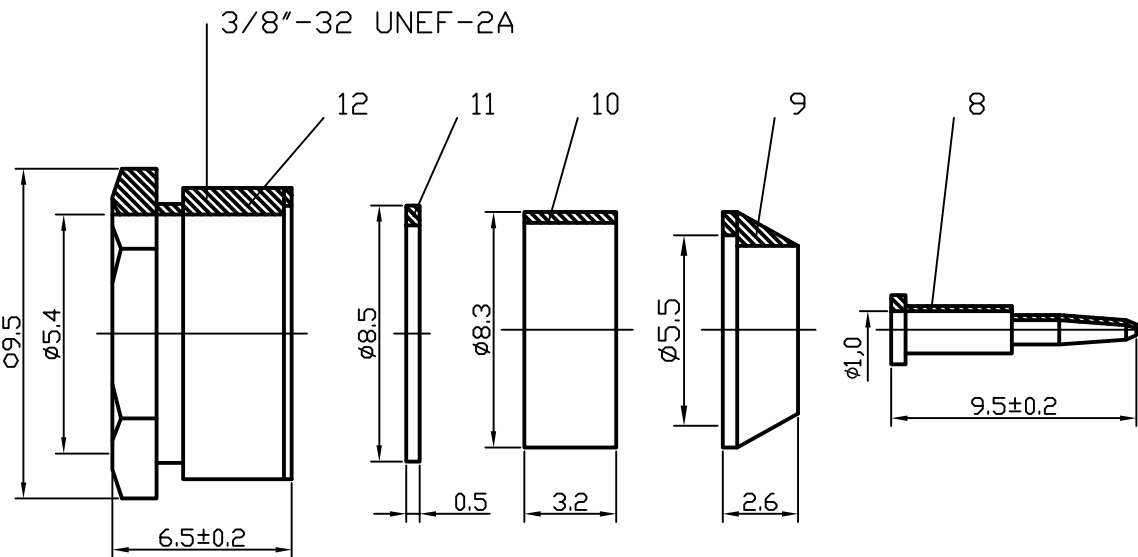


ROHS COMPLIANCE

DATE	DESCRIPTION	REV
09.02.26	NEW RELEASE	A



12	CLAMP NUT	1	ZINC	NICKEL	
11	WASHER	1	STEEL	NICKEL	
10	GASKET(OUTER)	1	PVC	RED	
9	BRAID CLAMP	1	BRASS	NICKEL	
8	PIN	1	BRASS	GOLD	
7	SHEEL	1	ZINC	NICKEL	
6	GASKET	1	PVC	RED	
5	WASHER	1	STEEL	NICKEL	
4	SPRING WASHER	1	SK-5	NICKEL	
3	WASHER	1	STEEL	NICKEL	
2	INSULATOR	1	DELRIN	WHITE	
1	BODY	1	BRASS	NICKEL	
NO	Description	Q'ty	Material	Finish	Part Number

UNLESS OTHERWISE SPECIFIED 1. REMOVE ALL BURRS. 2. BREAK ALL CONNERS & EDGES CO.15 MAX. 3. CHAMFER 1ST & LAST THREADS 45°. 4. DIAMETERS ON COMMON CENTERS. TO BE CONCENTRIC WITHIN 0.01 T.I.R. 5. ALL DIMENSIONS ARE AFTER PLATING.	MAJOR DIMENSIONS		APPROVED BY	DRAWING NO
	UNLESS OTHERWISE NOTED TOLERANCES		CHECKED BY	B-006-2DGN-A
	0.5-6=±0.2		DRAWING BY	TITLE
	6-30=±0.4		ART&MJP	BNC MALE CLAMP FOR RG58
30-120=±0.6		DATE	REV.	A
ANGLES=±5°		2010/12/27	WEIJE ELECTRONICS CO., LTD	
SCALE	4/1	UNIT	MM	



DO NOT SCALE DRAWING