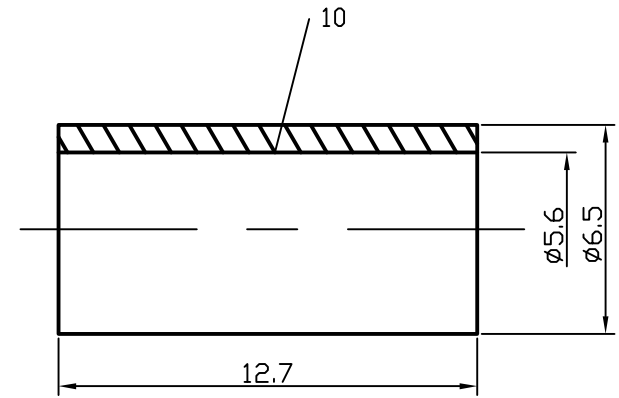
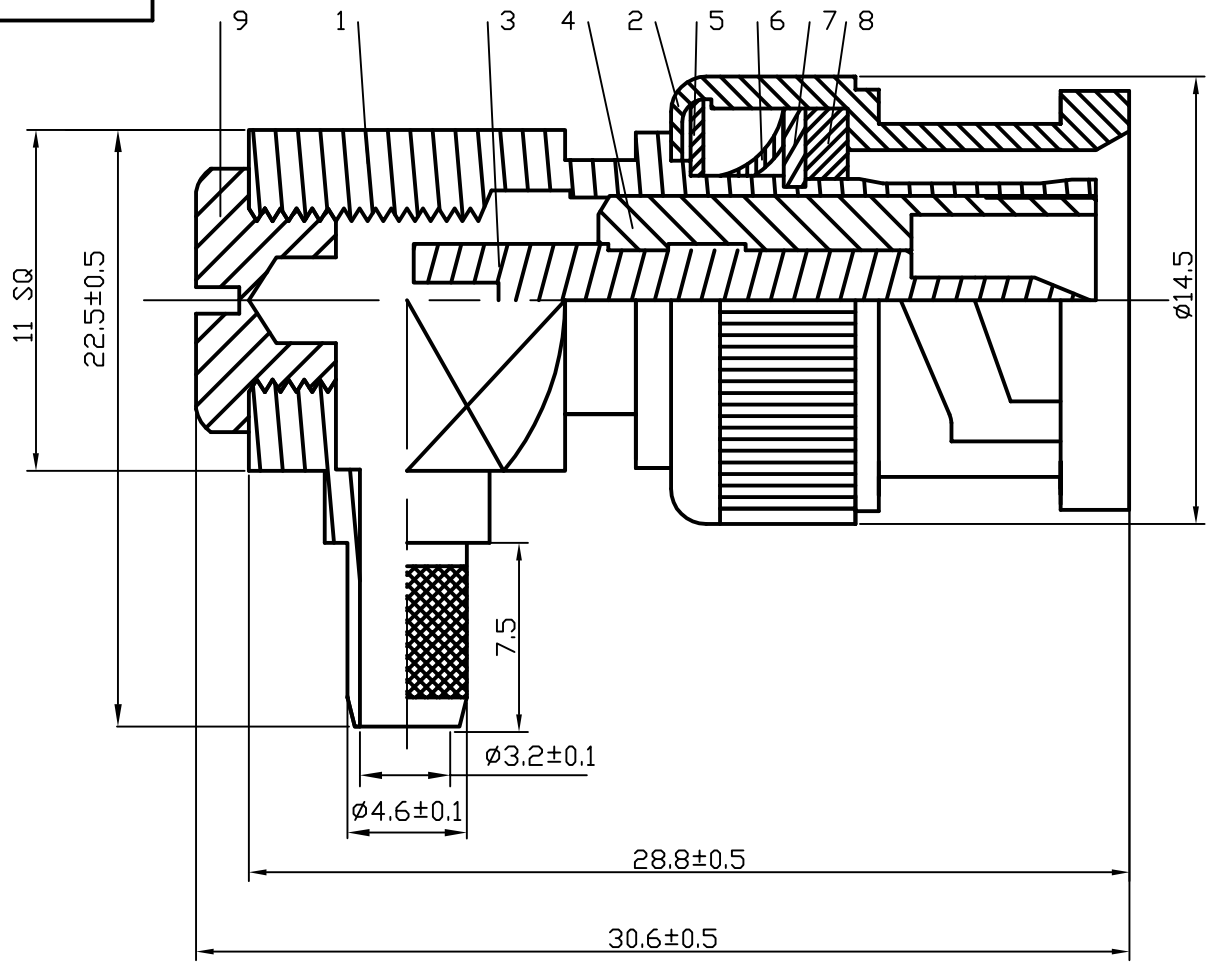


ROHS COMPLIANCE

DATE	DESCRIPTION	REV
09.04.29	NEW RELEASE	A



10	RING	1	BRASS	NICKEL	
9	SCREW NUT	1	BRASS	NICKEL	
8	GASKET	1	PVC	RED	
7	WASHER	1	STEEL	NICKEL	
6	SPRING	1	SK-5	NICKEL	
5	WASHER	1	STEEL	NICKEL	
4	INSULATOR	1	DELIRIN	WHITE	
3	PIN	1	BRASS	GOLD	
2	SHELL	1	ZINC	NICKEL	
1	BODY	1	BRASS	NICKEL	
NO	Description	Q'ty	Material	Finish	Part Number

UNLESS OTHERWISE SPECIFIED 1. REMOVE ALL BURRS. 2. BREAK ALL CONNERS & EDGES CO. 15 MAX. 3. CHAMFER 1ST & LAST THREADS 45°. 4. DIAMETERS ON COMMON CENTERS. TO BE CONCENTRIC WITHIN 0.01 T.I.R. 5. ALL DIMENSIONS ARE AFTER PLATING.	MAJOR DIMENSIONS	APPROVED BY
	UNLESS OTHERWISE NOTED TOLERANCES	CHECKED BY
	0.5-6=±0.2 6-30=±0.4 30-120=±0.6 ANGLES=±5°	DRAWING BY <i>ARTEMIS</i>
	SCALE 4/1 UNIT MM	DATE 2011/03/08

DRAWING NO	B-005-2DGN-39-A	
TITLE	BNC MALE R/A CRIMP FOR RG58/U	REV. A
 WEIJE ELECTRONICS CO., LTD		

DO NOT SCALE DRAWING