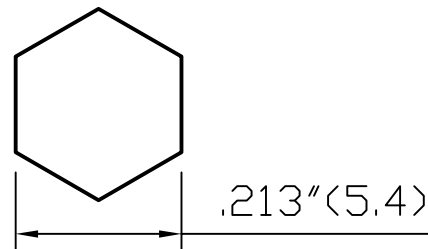
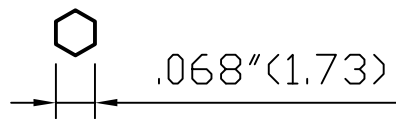
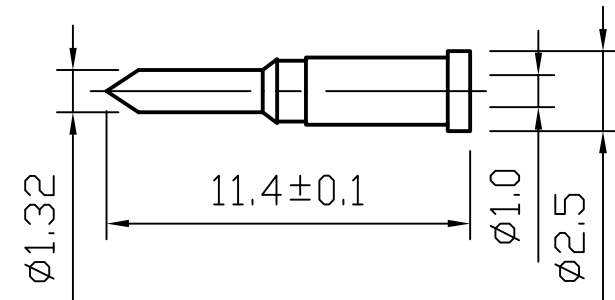
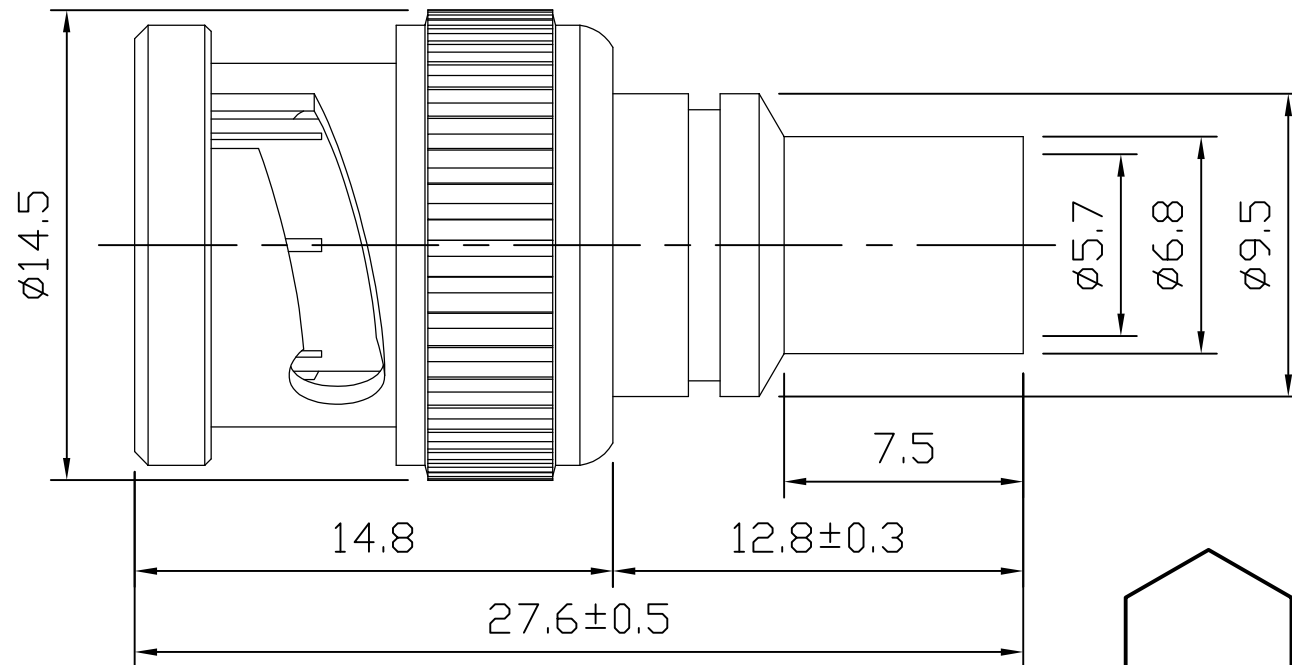


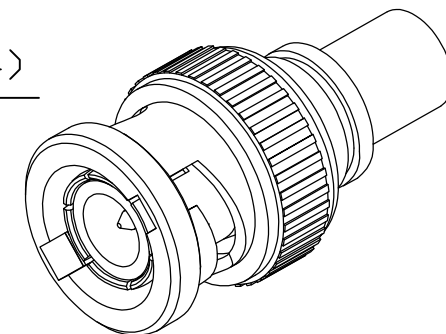
ROHS COMPLIANCE

DATE	DESCRIPTION	REV
13.02.21	NEW RELEASE	A



Recommended Crimped Dimensions for Center Pin

Recommended Crimped Dimensions for Ferrule




8	WASHER	1	STEEL	NICKEL	
7	WASHER	1	STEEL	NICKEL	
6	SPRING	1	SK-5	NICKEL	
5	GASKET	1	PVC	RED	
4	PIN	1	BRASS	GOLD	
3	INSULTAOR	1	POM	WHITE	
2	SHELL	1	ZINC	NICKEL	
1	BODY	1	BRASS	NICEKL	
NO	Description	Q'ty	Material	Finish	Part Number

UNLESS OTHERWISE SPECIFIED
 1. REMOVE ALL BURRS.
 2. BREAK ALL CONNERS & EDGES CO.15 MAX.
 3. CHAMFER 1ST & LAST THREADS 45°.
 4. DIAMETERS ON COMMON CENTERS.
 TO BE CONCENTRIC WITHIN 0.01 T. I. R.
 5. ALL DIMENSIONS ARE AFTER PLATING.

MAJOR DIMENSIONS
 UNLESS OTHERWISE NOTED TOLERANCES
 0.5-6=±0.2
 6-30=±0.4
 30-120=±0.6
 ANGLES=±5°

APPROVED BY
 CHECKED BY
 DRAWING BY
Sheng
 DATE 2013/02/21

DRAWING NO
B-003-2DGN-A
 TITLE
 BNC MALE MODLED FOR RG58/U
 REV.
 A
 WEIJE ELECTRONICS CO., LTD

DO NOT SCALE DRAWING