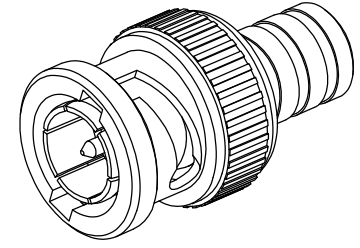
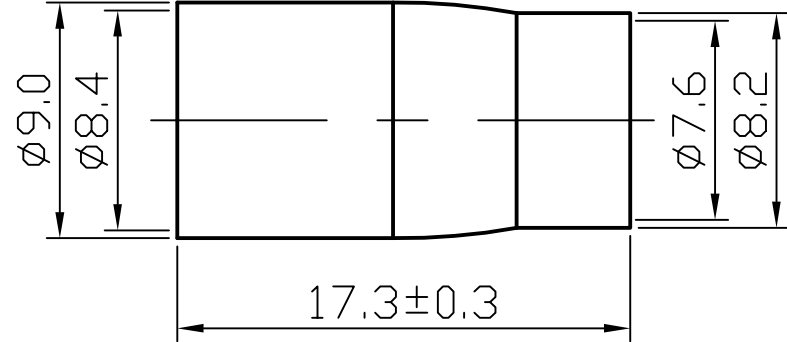
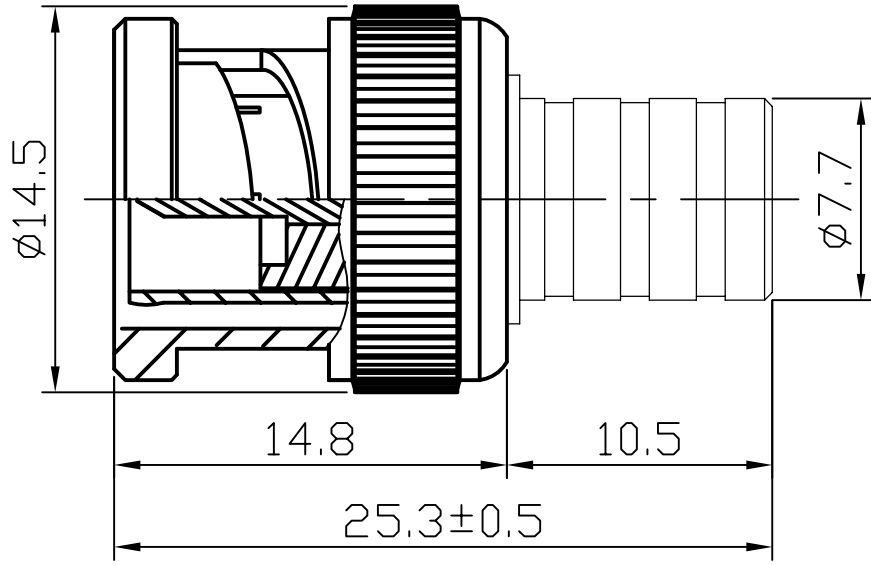


8 ROHS COMPLIANCE

DATE	DESCRIPTION	REV
13.05.28	NEW RELEASE	A



10	RING	1	BRASS	NICKEL	
9	GASKET	1	PVC	RED	
8	WASHER	1	STEEL	NICKEL	
7	SPRING	1	SK-5	NICKEL	
6	WASHER	1	STEEL	NICKEL	
5	INSULATOR	1	POM	WHITE	
4	INSULATOR	1	POM	WHITE	
3	PIN	1	BRASS	GOLD	
2	BODY	1	BRASS	NICKEL	
1	SHELL	1	ZINC	NICKEL	
NO	Description	Q'ty	Material	Finish	Part Number

UNLESS OTHERWISE SPECIFIED  
 1. REMOVE ALL BURRS.  
 2. BREAK ALL CONNERS & EDGES CO.15 MAX.  
 3. CHAMFER 1ST & LAST THREADS 45°.  
 4. DIAMETERS ON COMMON CENTERS.  
 TO BE CONCENTRIC WITHIN 0.01 T.I.R.  
 5. ALL DIMENSIONS ARE AFTER PLATING.

MAJOR DIMENSIONS  
 UNLESS OTHERWISE NOTED TOLERANCES  
 0.5-6=±0.2  
 6-30=±0.4  
 30-120=±0.6  
 ANGLES=±5°

APPROVED BY  
 CHECKED BY  
 DRAWING BY  
*Sheng*  
 DATE 2013/05/28

DRAWING NO  
**B-002-2DGN-C-75**  
 TITLE  
 BNC MALE QUICK CRIMP RG6/U(75ohm)  
 WEIJE ELECTRONICSO CO., LTD

DO NOT SCALE DRAWING

8 7 6 5 4 3 2 1