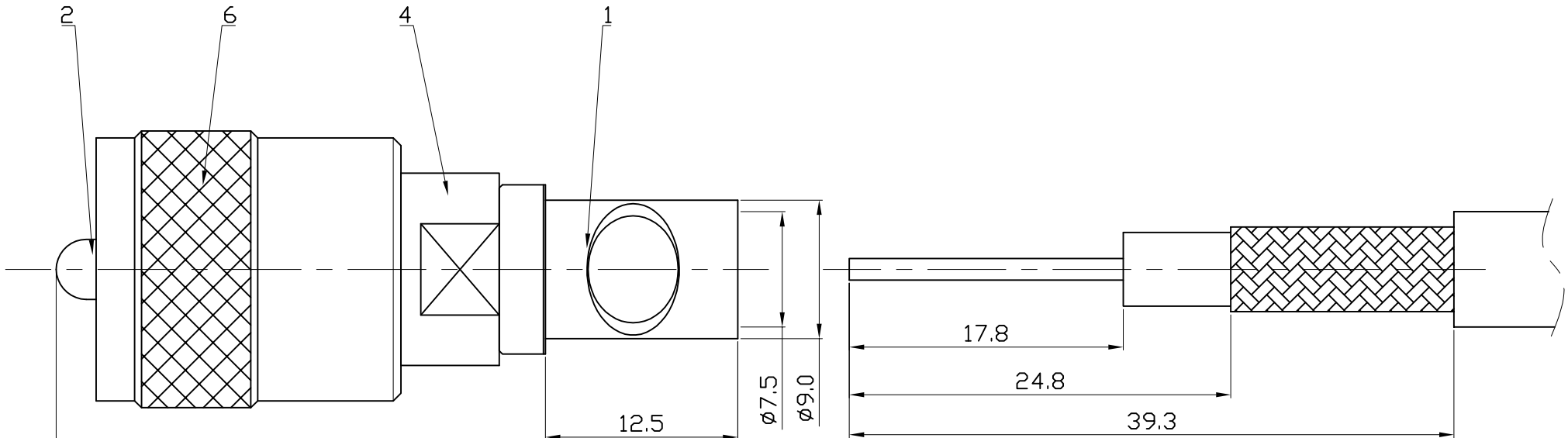


ROHS COMPLIANCE

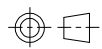

DATE	DESCRIPTION	REV
15. 09. 21	NEW RELEASE	A



Recommended Cable Stripping Dimensions

DO NOT SCALE DRAWING

NO	Description	Q'ty	Material	Finish
6	SHELL	1	BRASS	NICKEL
5	INSULATOR II	1	PTFE	WHITE
4	BODY I	1	BRASS	NICKEL
3	INSULATOR II	1	PTFE	WHITE
2	PIN	1	BRASS	GOLD
1	BODY I	1	BRASS	NICKEL

MAJOR DIMENSIONS		APPROVED BY	OLD DRAWING NO	DRAWING NO
UNLESS OTHERWISE NOTED TOLERANCES		<i>Fyun Siang</i>		751S4X-J9-X1-1TGN-5A
0.5-6 \pm 0.2		CHECKED BY	 THIRD ANGLE PROJECTION	TITLE
6-30 \pm 0.4		<i>Fyun Siang</i>		UHF (M) SOLDER FOR 5D-2V
30-120 \pm 0.6		DRAWING BY	 WEIJE ELECTRONICS CO., LTD.	REV.
ANGLES \pm 5°		<i>Wong Jih Syong</i>		A
SCALE	2.5:1	DATE		2016/07/14

8 7 6 5 4 3 2 1