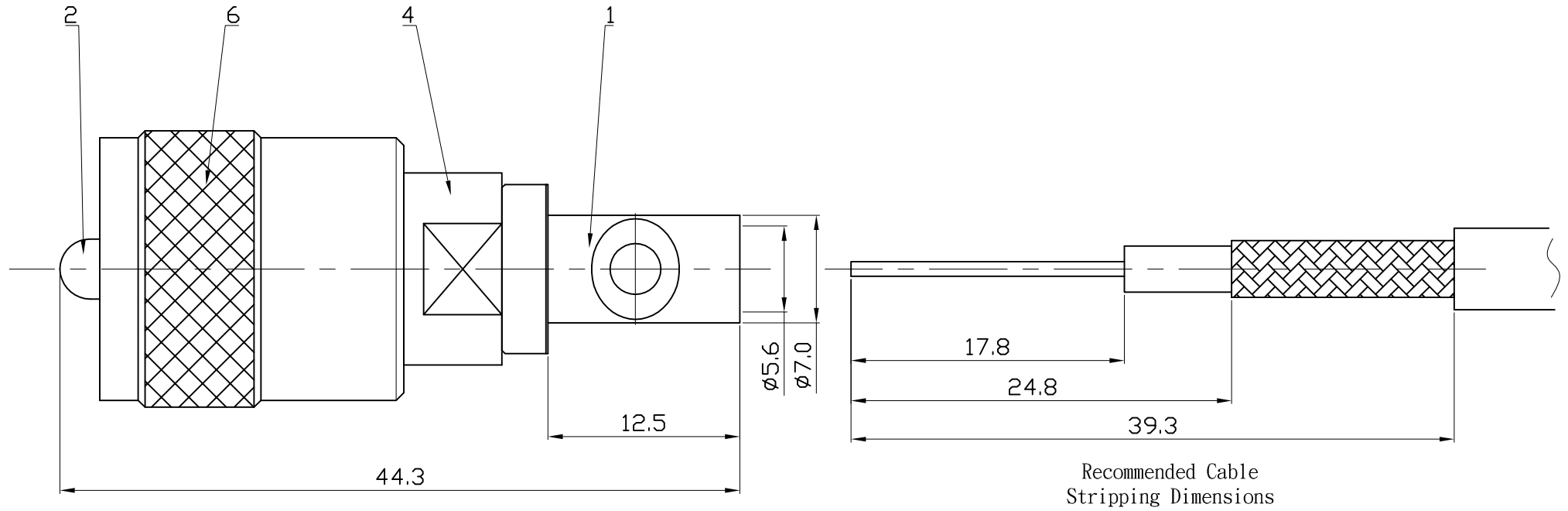


ROHS COMPLIANCE

DATE	DESCRIPTION	REV
15.09.03	NEW RELEASE	A



DO NOT SCALE DRAWING

NO	Description	Q'ty	Material	Finish
6	SHELL	1	BRASS	NICKEL
5	INSULATOR II	1	PTFE	WHITE
4	BODY II	1	BRASS	NICKEL
3	INSULATOR I	1	PTFE	WHITE
2	PIN	1	BRASS	GOLD
1	BODY I	1	BRASS	NICKEL

MAJOR DIMENSIONS UNLESS OTHERWISE NOTED TOLERANCES 0.5-6=±0.2 6-30=±0.4 30-120=±0.6 ANGLES=±5°	APPROVED BY <i>Fyun Siang</i>	OLD DRAWING NO	DRAWING NO 751S4X-J8-X1-1TGN-5A
	CHECKED BY <i>Fyun Siang</i>	THIRD ANGLE PROJECTION	TITLE UHF (M) SOLDER FOR 3D-2V
	DRAWING BY <i>Wong Jih Syong</i>		WEIJE ELECTRONICS CO., LTD.
SCALE 2.5:1 UNIT MM	DATE 2016/07/14		