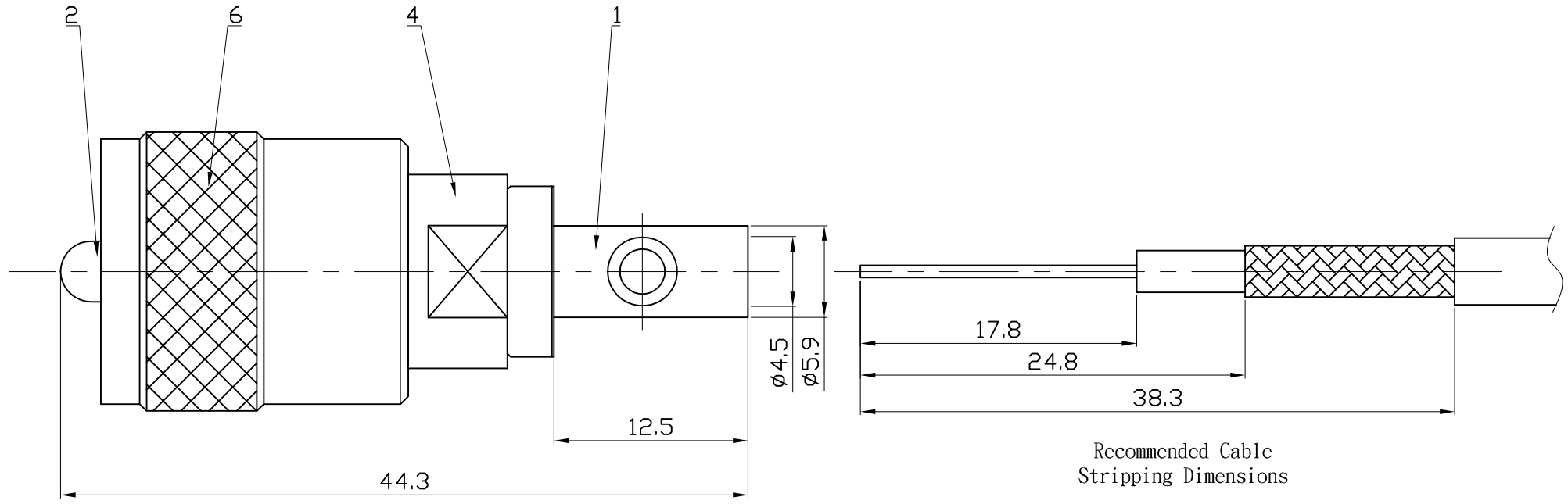


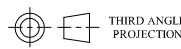

ROHS COMPLIANCE

DATE	DESCRIPTION	REV
15.09.03	NEW RELEASE	A



DO NOT SCALE DRAWING

NO	Description	Q'ty	Material	Finish
6	SHELL	1	BRASS	NICKEL
5	INSULATOR II	1	PTFE	WHITE
4	BODY II	1	BRASS	NICKEL
3	INSULATOR I	1	PTFE	WHITE
2	PIN	1	BRASS	GOLD
1	BODY I	1	BRASS	NICKEL

MAJOR DIMENSIONS		APPROVED BY	OLD DRAWING NO	DRAWING NO
UNLESS OTHERWISE NOTED TOLERANCES		<i>Fyun Siang</i>		751S4X-J7-X1-1TGN-5A
0.5-6=±0.2		CHECKED BY	 THIRD ANGLE PROJECTION	TITLE
6-30=±0.4		<i>Fyun Siang</i>		UHF (M) SOLDER FOR 2.5D-2V
30-120=±0.6		DRAWING BY	 <b>WEIJE ELECTRONICS CO., LTD.</b>	REV.
ANGLES=±5°		<i>Wong Jih Syong</i>		A
SCALE	2.5:1	DATE		2016/07/14