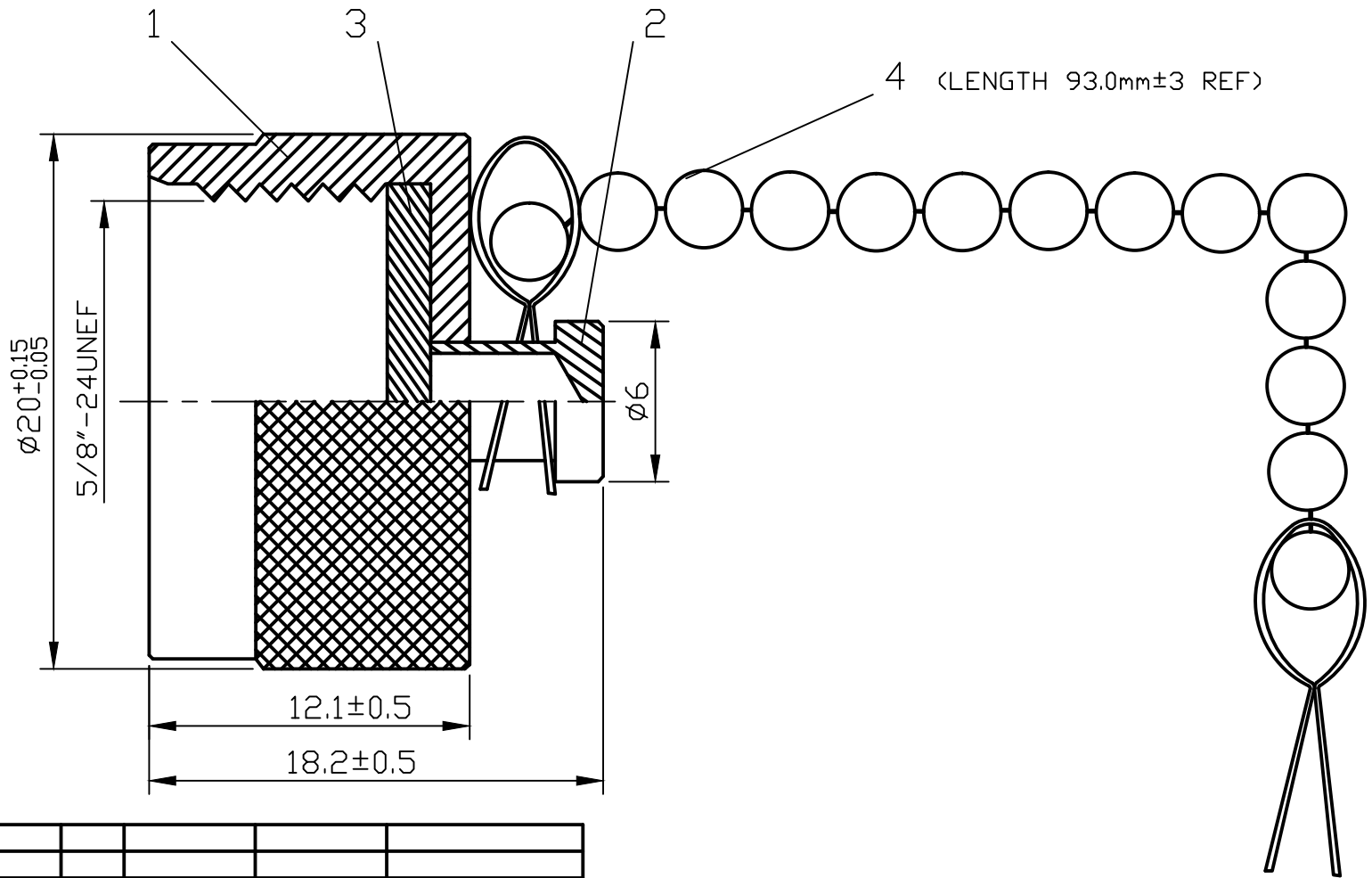


ROHS COMPLIANCE

DATE	DESCRIPTION	REV
09.09.07	NEW RELEASE	A



10					
9					
8					
7					
6					
5					
4	CHAIN	1	STEEL	NICKEL	
3	GASKET	1	RUBBER	RED	
2	SPIGOT	1	BRASS	NICKEL	
1	BODY	1	BRASS	NICKEL	
NO	Description	Q'ty	Material	Finish	Part Number

UNLESS OTHERWISE SPECIFIED  
 1. REMOVE ALL BURRS.  
 2. BREAK ALL CONNERS & EDGES CO. 15 MAX.  
 3. CHAMFER 1ST & LAST THREADS - 45°.  
 4. DIAMETERS ON COMMON CENTERS.  
 TO BE CONCENTRIC WITHIN 0.01 T. I. R.  
 5. ALL DIMENSIONS ARE AFTER PLATING.

MAJOR DIMENSIONS  
 UNLESS OTHERWISE NOTED TOLERANCES  
 0.5-6=±0.2  
 6-30=±0.4  
 30-120=±0.6  
 ANGLES=±5°

APPROVED BY  
 CHECKED BY  
 DRAWING BY  
*ARTEMIS*  
 DATE 2010/06/16

DRAWING NO  
**N-019-1N**  
 TITLE  
**N MALE PROTECTIVE CAP**  
 REV.  
**A**  
  
 WeiJe Electronics CO., LTD

DO NOT SCALE DRAWING