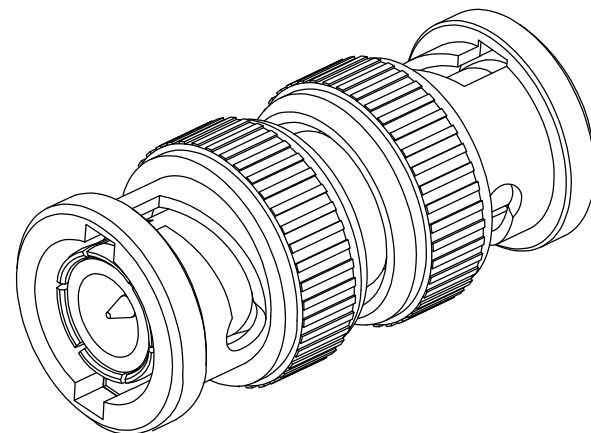
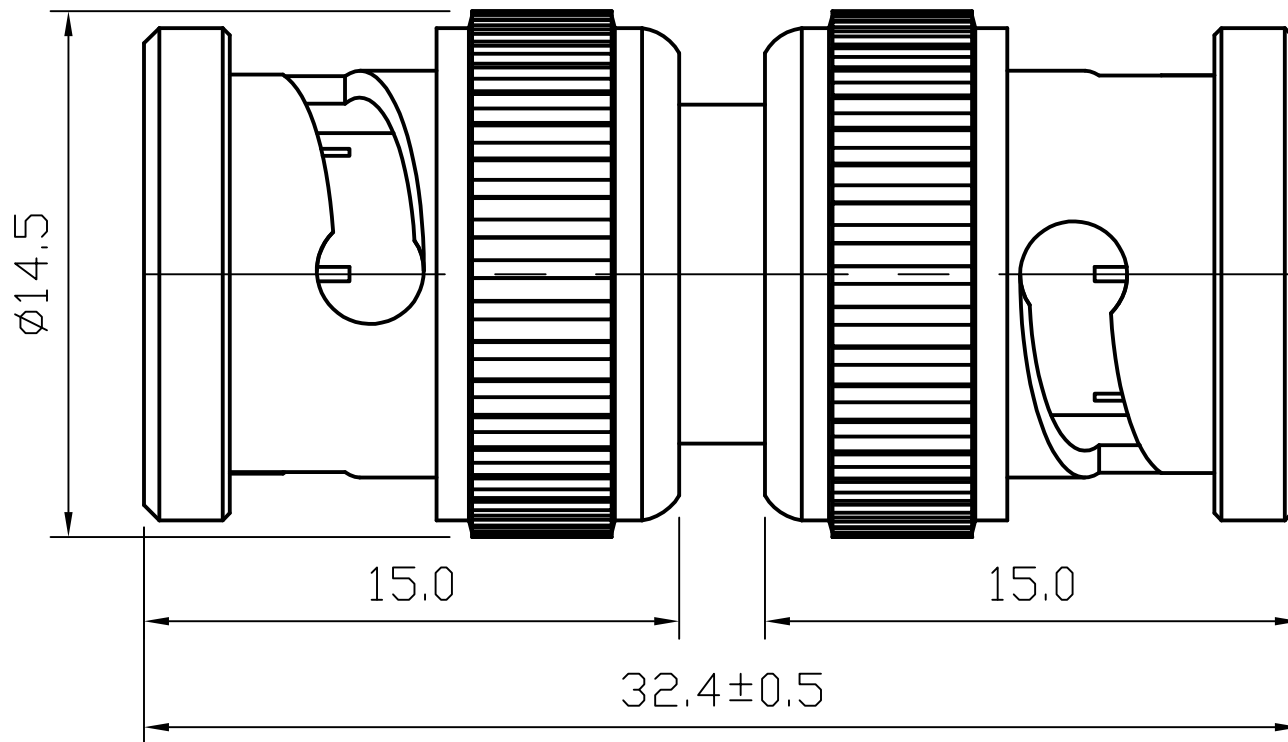



ROHS COMPLIANCE

DATE	DESCRIPTION	REV
12.12.03	NEW RELEASE	A



8	PIN	1	BRASS	GOLD	
7	INSULATOR	2	POM	WHITE	
6	GASKET	2	PVC	RED	
5	WASHER	2	STEEL	NICKEL	
4	SPRING	2	SK-5	NICKEL	
3	WASHER	2	STEEL	NICKEL	
2	BODY	1	BRASS	NICKEL	
1	SHELL	2	BRASS	NICKEL	
NO	Description	Q'ty	Material	Finish	Part Number

UNLESS OTHERWISE SPECIFIED 1. REMOVE ALL BURRS. 2. BREAK ALL CONNERS & EDGES CO.15 MAX. 3. CHAMFER 1ST & LAST THREADS 45°. 4. DIAMETERS ON COMMON CENTERS. TO BE CONCENTRIC WITHIN 0.01 T.I.R. 5. ALL DIMENSIONS ARE AFTER PLATING.	MAJOR DIMENSIONS		APPROVED BY
	UNLESS OTHERWISE NOTED TOLERANCES		CHECKED BY
	0.5-6=±0.2	6-30=±0.4	DRAWING BY
	30-120=±0.6	ANGLES=±5°	<i>Sheng</i>
SCALE	5/1	UNIT	MM
		DATE	2012/12/03

DRAWING NO		B-046-1DGN	
TITLE		DOUBLE BNC MALE	
		REV. A	
		WEIJE ELECTRONICS CO., LTD	

DO NOT SCALE DRAWING