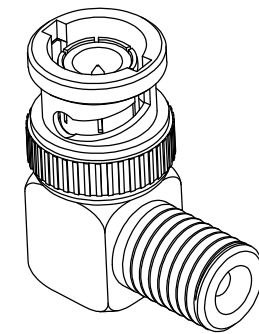
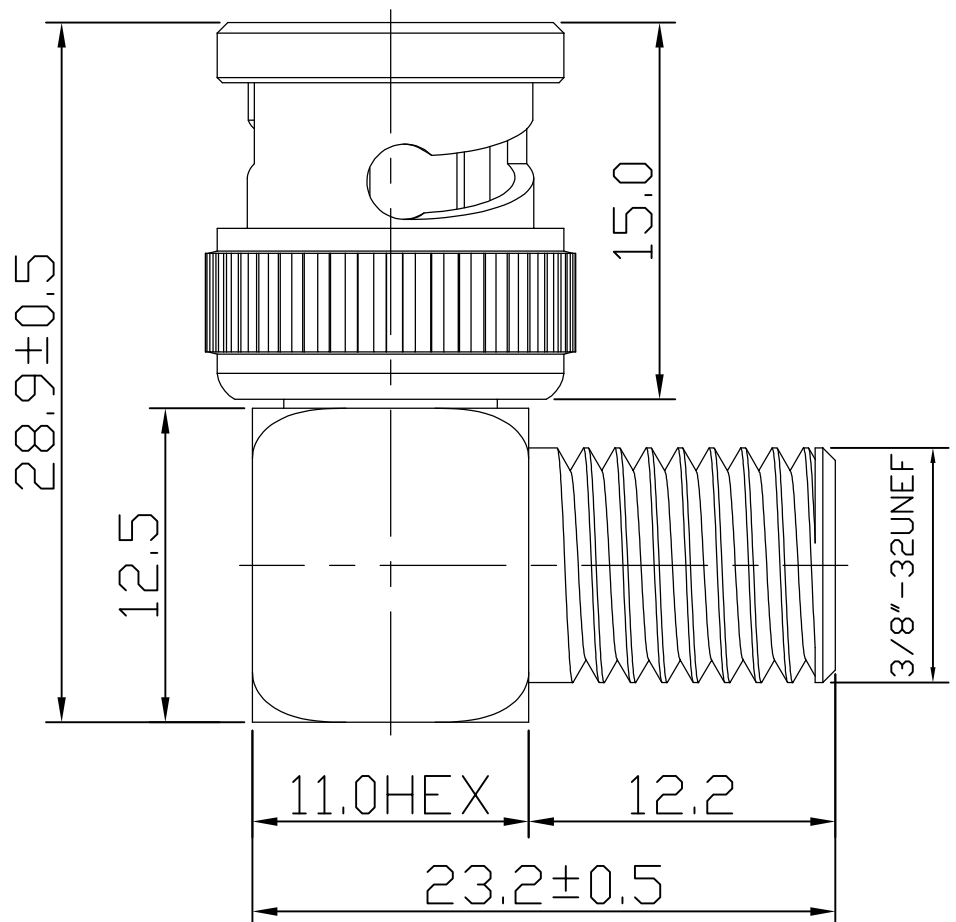



ROHS COMPLIANCE

DATE	DESCRIPTION	REV
13.02.20	NEW RELEASE	A



11	PIN II	1	BRASS	TIN	
10	INSULATOR II	1	P.P	NONE	
9	BODY II	1	BRASS	NICKEL	
8	GASKET	1	PVC	RED	
7	WASHER	1	STEEL	NICKEL	
6	SPRING	1	SK-5	NICKEL	
5	WASHER	1	STEEL	NICKEL	
4	INSULATOR I	1	POM	WHITE	
3	PIN I	1	BRASS	GOLD	
2	SHELL	1	BRASS	NICKEL	
1	BODY I	1	BRASS	NICKEL	
NO	Description	Q'ty	Material	Finish	Part Number

UNLESS OTHERWISE SPECIFIED 1. REMOVE ALL BURRS. 2. BREAK ALL CONNERS & EDGES CO.15 MAX. 3. CHAMFER 1ST & LAST THREADS 45°. 4. DIAMETERS ON COMMON CENTERS. TO BE CONCENTRIC WITHIN 0.01 T.I.R. 5. ALL DIMENSIONS ARE AFTER PLATING.	MAJOR DIMENSIONS		APPROVED BY		DRAWING NO	
	UNLESS OTHERWISE NOTED TOLERANCES		CHECKED BY		B-005-F-FE-1DGN	
	0.5-6=±0.2		DRAWING BY		TITLE	
	6-30=±0.4		Sheng		R/A BNC MALE TO F FEMALE	
30-120=±0.6		DATE		REV.		
ANGLES=±5°		2013/02/20		A		
SCALE	4/1	UNIT	MM	 WEIJE ELECTRONICS CO., LTD		

DO NOT SCALE DRAWING